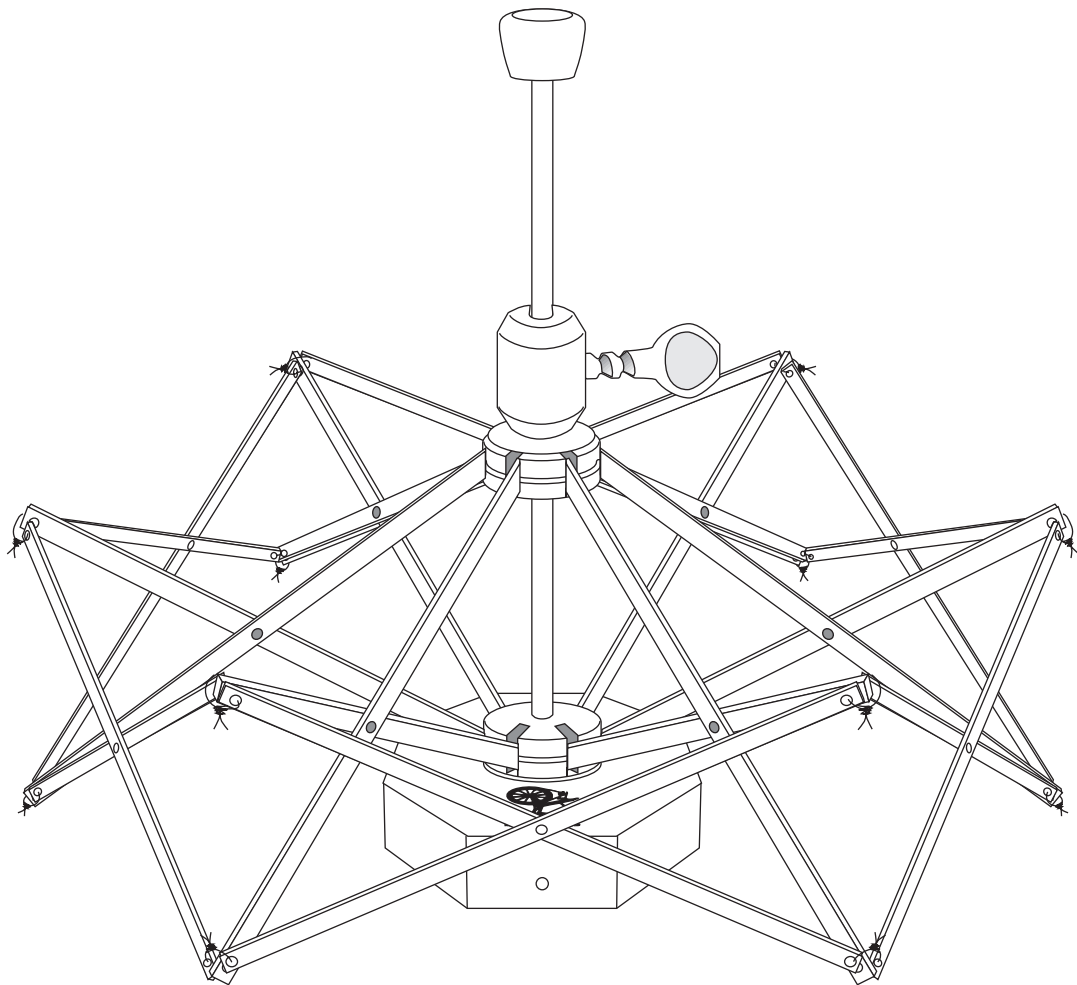


WOODEN UMBRELLA SWIFT



WUS130324

Ashford Guarantee

Thank you for purchasing this Ashford product. In the unlikely event of a fault in manufacture, please contact the dealer you purchased it from.

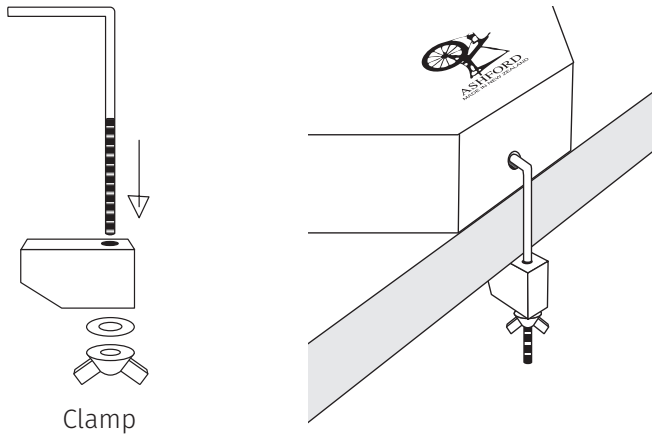
Ashford Blog

For inspirational articles, patterns and projects. Subscribe for free www.ashford.co.nz/blog

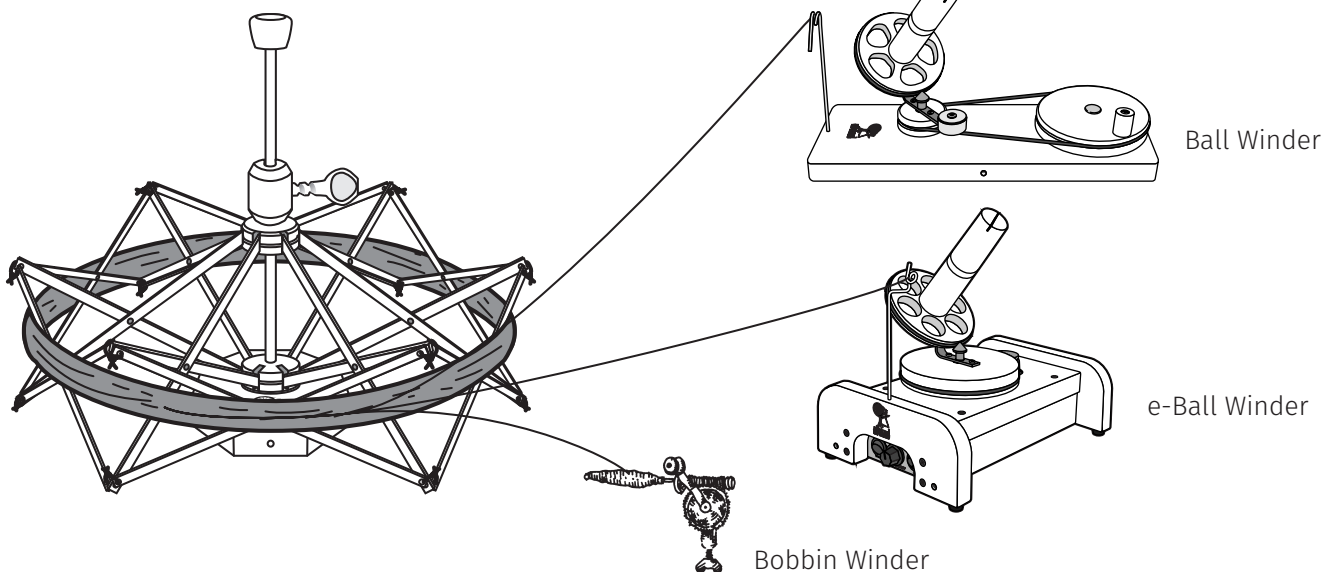
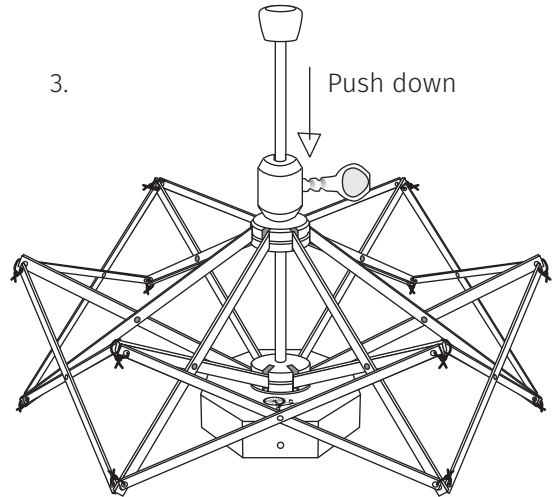
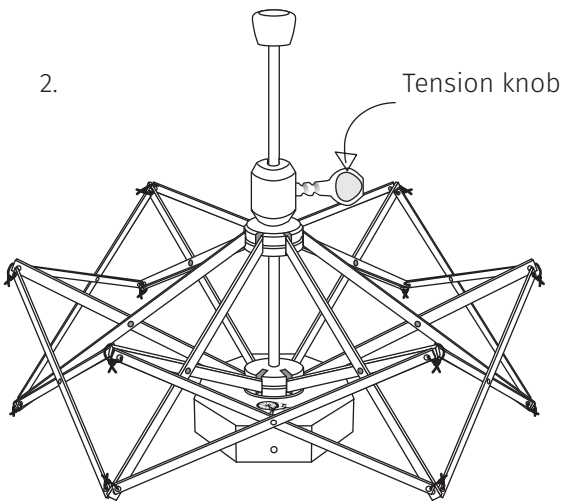
How to use the Ashford Wooden Swift

Warning: Take care to avoid injury due to the sharp ends of the wire ties. Use the sandpaper supplied to remove any sharp edges or corners.

Important: Do not allow yarn to get wrapped around the central column at the base. Stop winding immediately and carefully remove any yarn or fibres.



1. Clamp the base to a table.
2. Tie a thread the same size as your skein of yarn approx. 150cm (60ins), around the swift. Push the tension knob down and tighten to ensure it is held firmly in place. This keeps the swift the same size as the skein is wound off.
3. Loosen the tension knob and lift so the skein of yarn can be placed over the swift. Push down and retighten the tension knob and repeat from time to time as you wind the yarn from the swift.



Use the Wooden Umbrella Swift together with the Bobbin Winder and Ball Winders.