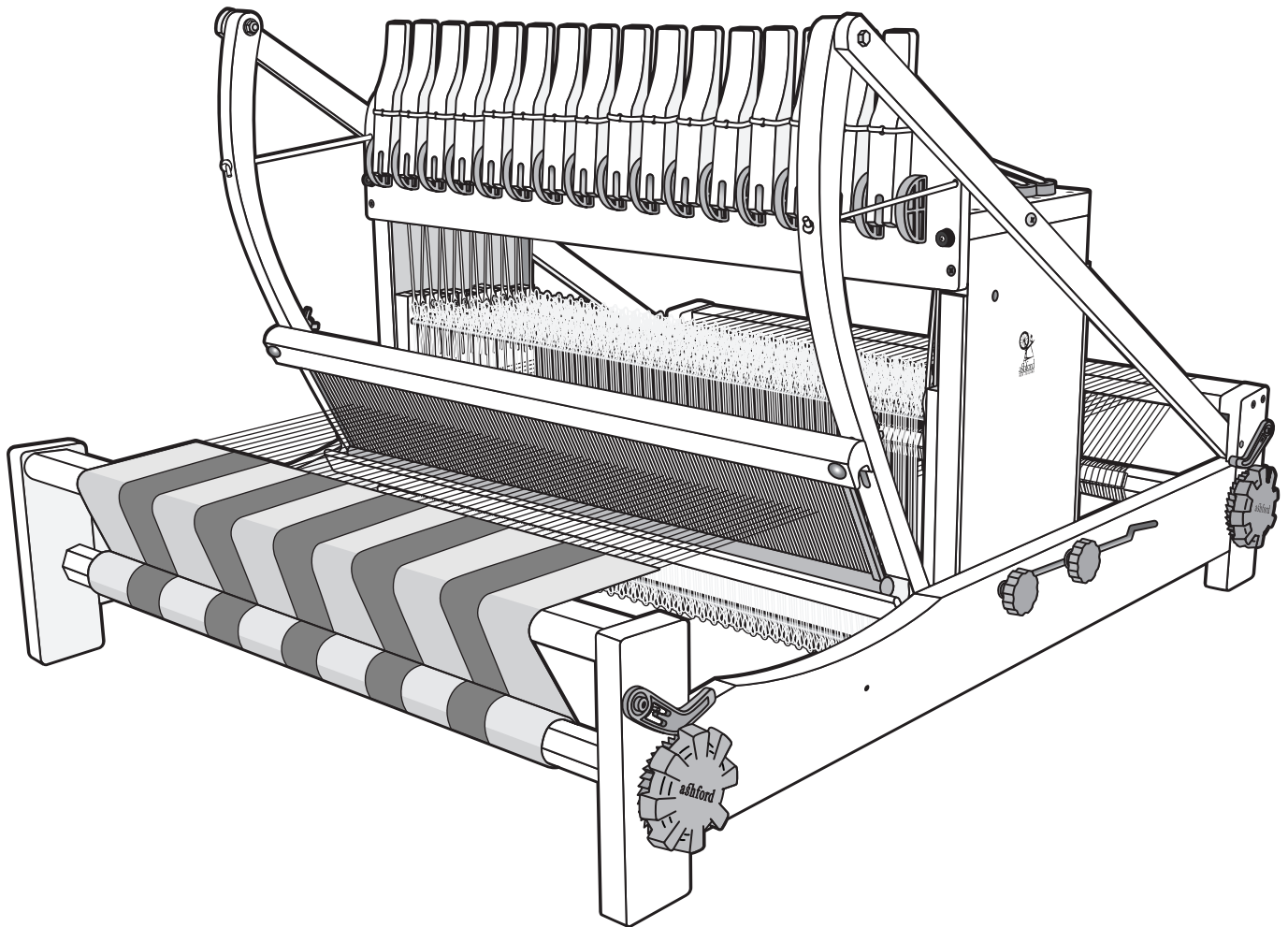


# ASHFORD TABLE LOOM - SIXTEEN SHAFT

60cm (24")



TLSS6-060825

#### **Ashford Guarantee**

Thank you for purchasing this Ashford product. In the unlikely event of a fault in manufacture, please contact the dealer you purchased it from.

#### **Ashford Blog**

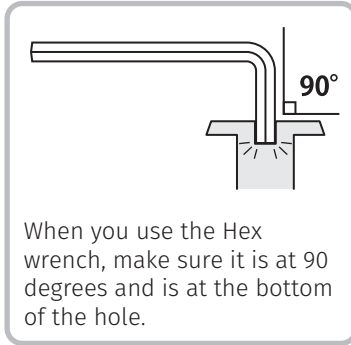
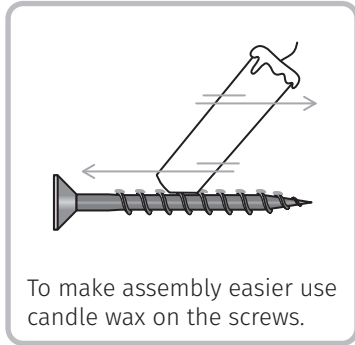
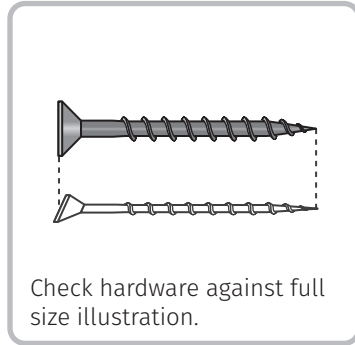
For inspirational articles, patterns and projects. Subscribe for free [www.ashford.co.nz/blog](http://www.ashford.co.nz/blog)

Before commencing, please read these instructions completely, identify the parts and note the assembly sequence.

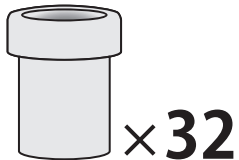
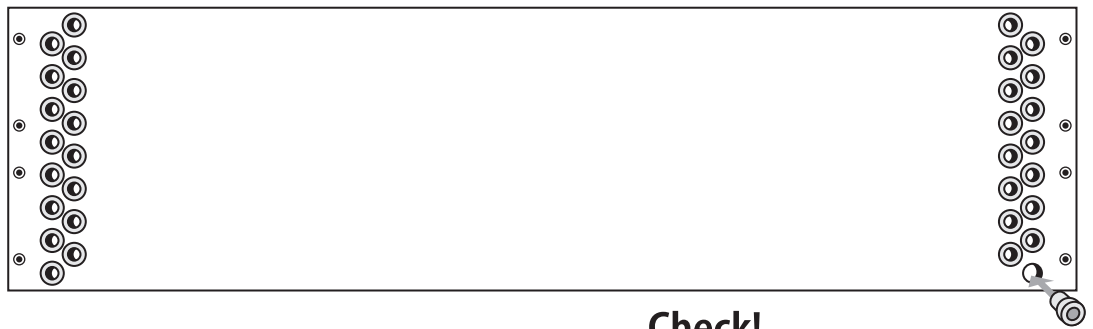
## Tools Required



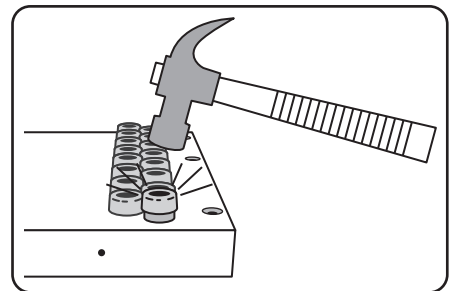
## Hints



Tap the 32 nylon loom cord guides into the castle top.



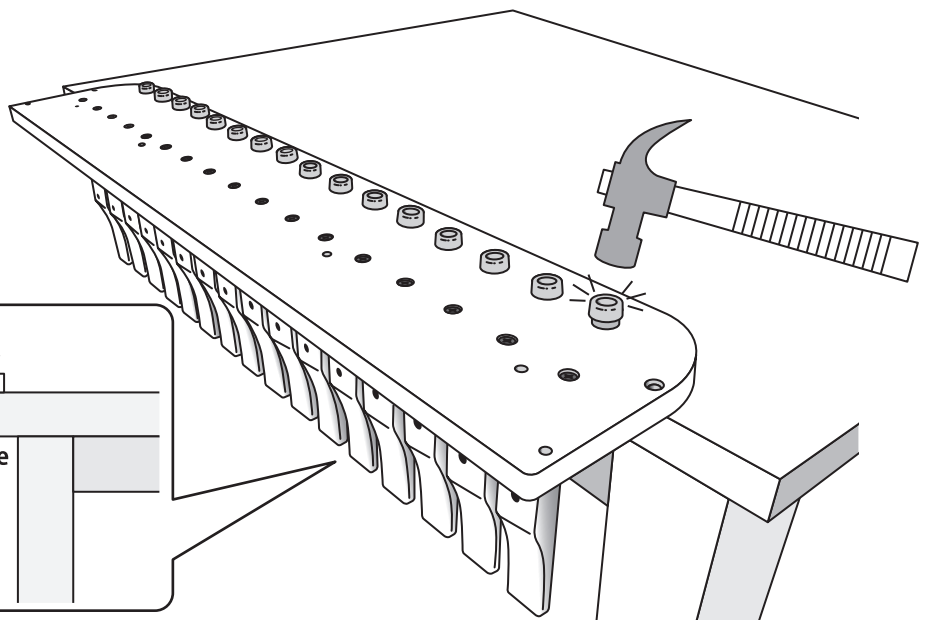
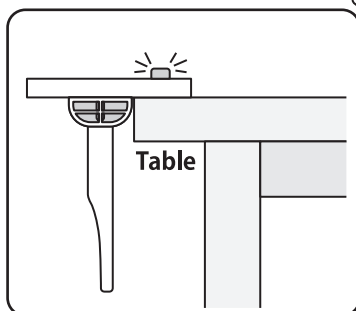
**Check!**



Rest the castle front on a table edge for support. Tap the nylon guides into the cord holes from the back.

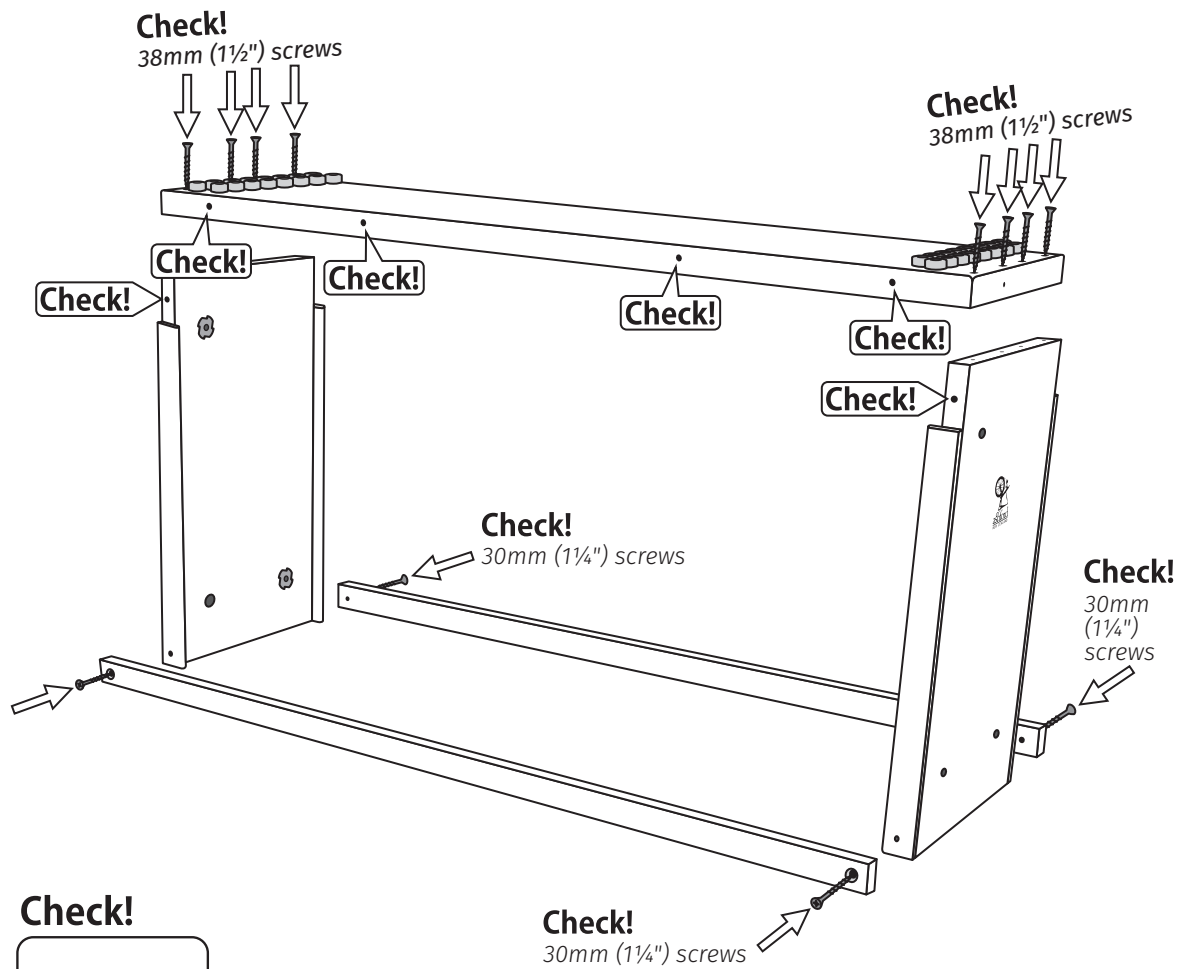


**Check!**

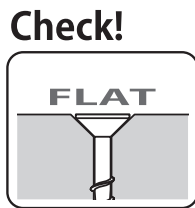
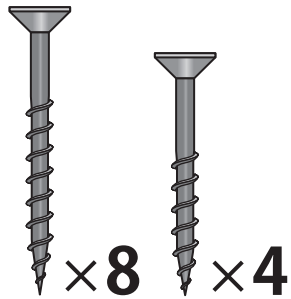




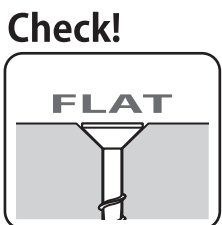
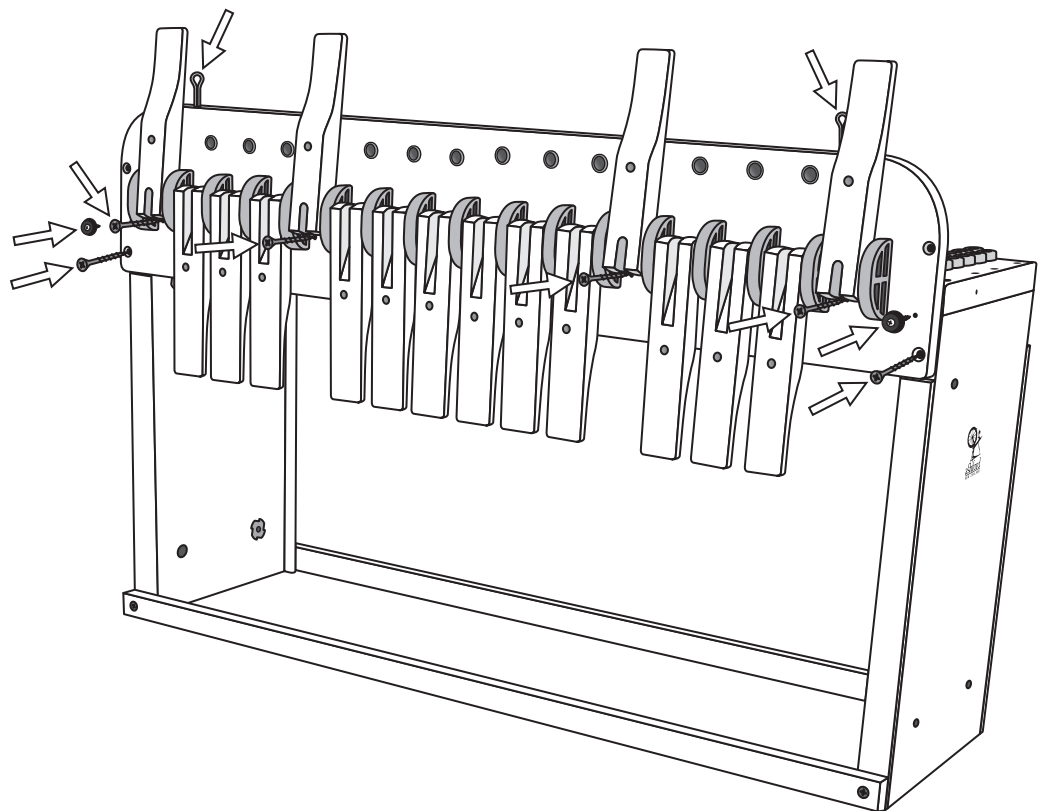
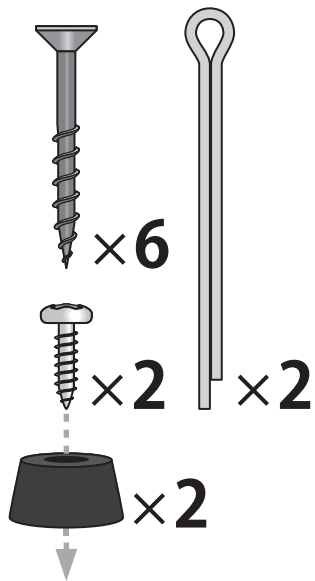
Assemble the castle top to the castle sides with 8 x 38mm (1½") screws. Check that the pilot holes for the castle front are all on the same side. Check the top is flush with the sides.



**Check!**  
30mm (1¼") screws



Attach the bottom cross rails to the bottom of the castle sides with 30mm (1¼") screws. Check! Only use 30mm (1¼") screws. Longer screws may damage the sides. Check the top is flush with the sides.

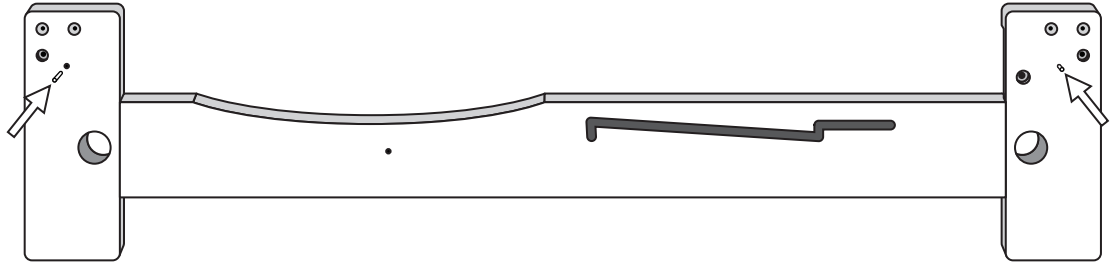
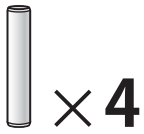
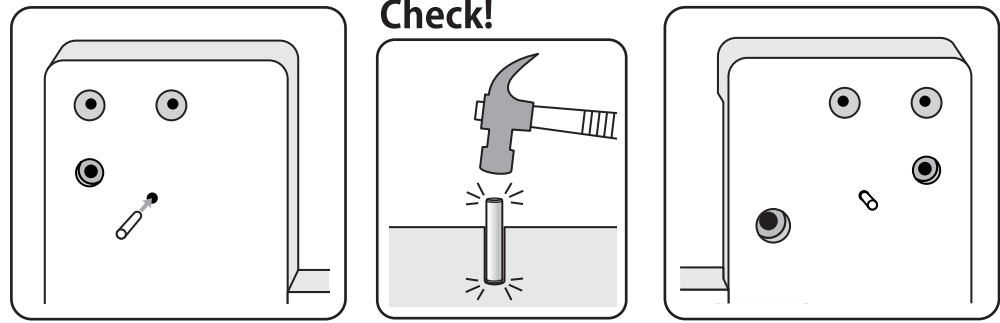


Attach the castle front to the castle top and sides with 30mm (1¼") screws. Check the top is flush with the sides. Locate the beater pins into the holes in the top of the castle front. Use these pins to lock the beater to the loom sides when warping. Attach 2 x rubber buffers to the castle front with 12mm (½") screws to protect the wood when folding the castle.



**NOTE:** We have completed this step for you. Remove and discard the wooden protector blocks.

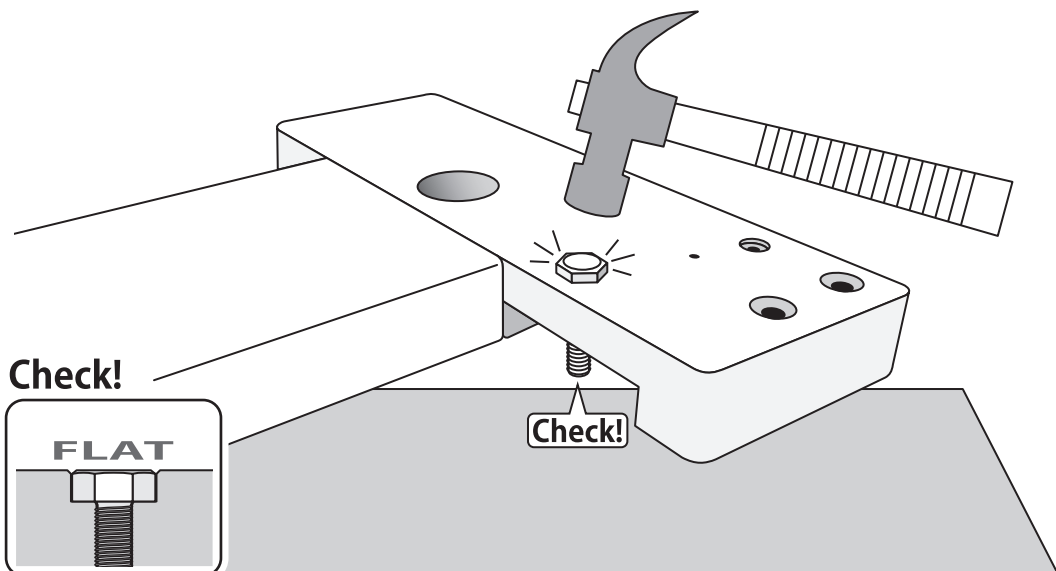
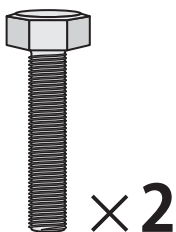
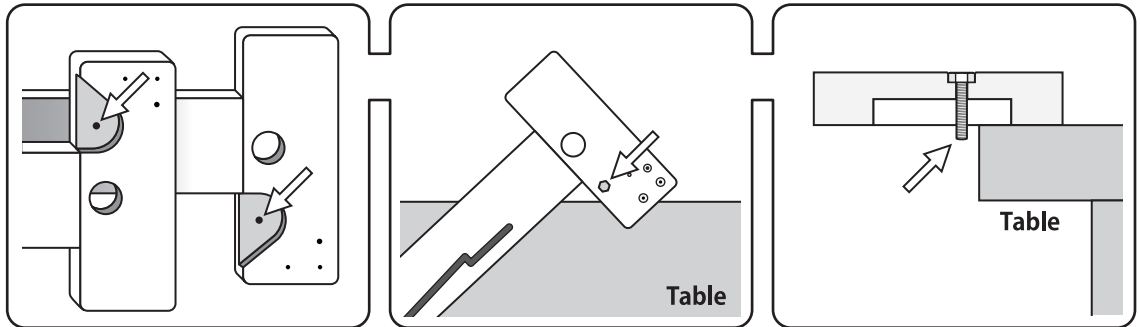
Tap the “clicker pins” for the pawls to the bottom of the holes in both sides.



Rest the loom side on a table edge. Tap 25mm (1”) hex head bolts through the loom sides.

**Note:** The head of the bolt **MUST** be level with or below the surface of the side otherwise the pawl will catch on it.

**Check!**

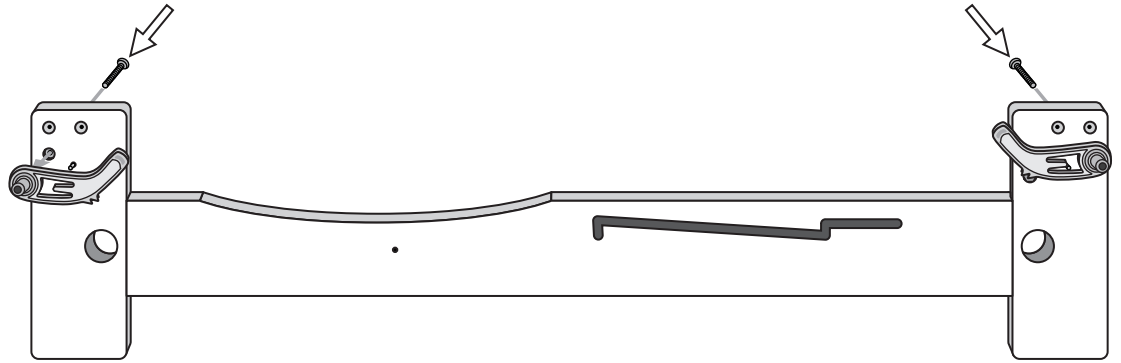
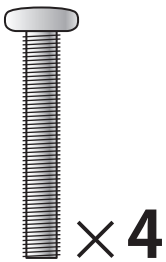
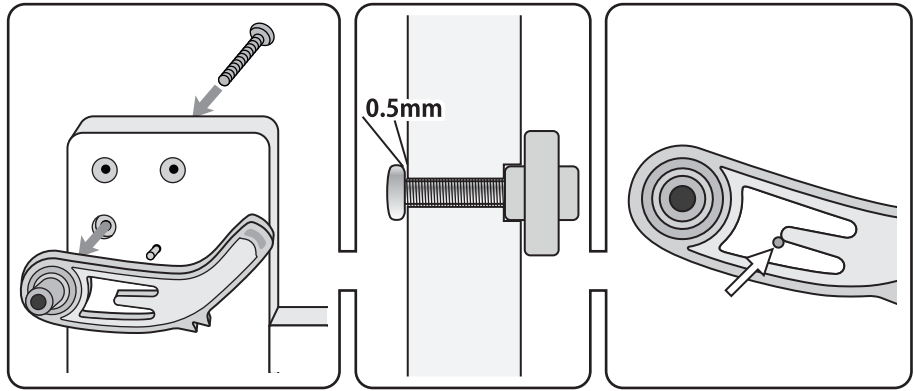




Attach the 4 pawls to the loom sides with 30mm (1¼") machine screws.

*Note: The "clicker pin" fits into the gap in the pawl. Take care to ensure the "clicker pin" does not damage your table. Rub a little candle wax on the thread of the screws to make assembly easier. Leave 0.5mm (1/32") gap under the head of the bolt. DON'T over tighten. The pawl should move freely.*

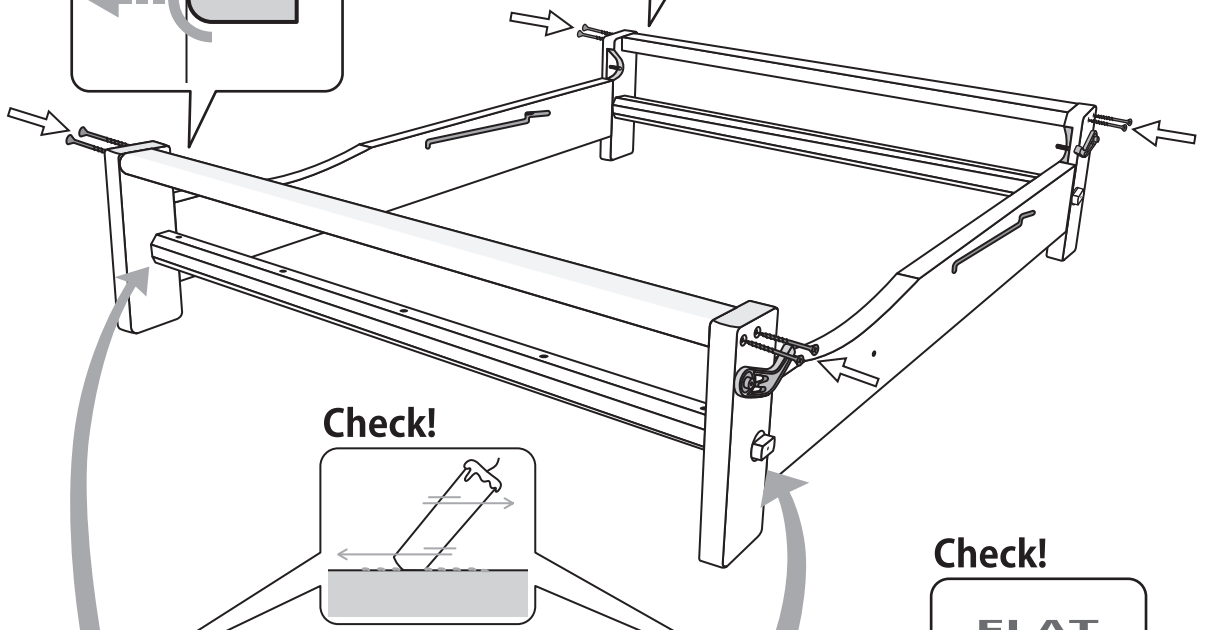
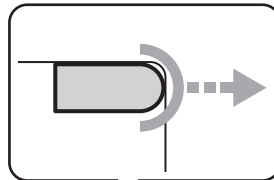
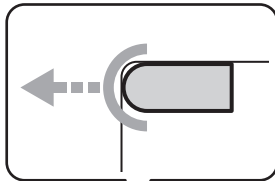
### Check!



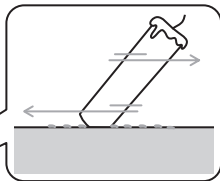
Rub candle wax on the dowel ends of the rollers. Place the rollers into the holes in the loom sides. Attach the front and back beams to the sides with 50mm (2") screws. Check the round edge of the beams face out.

### Check!

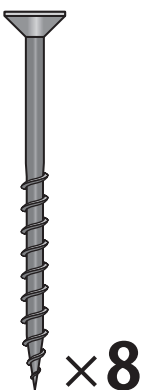
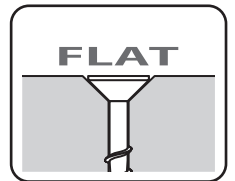
### Check!



### Check!



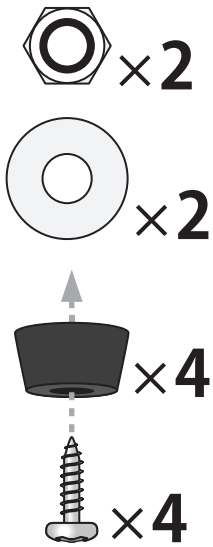
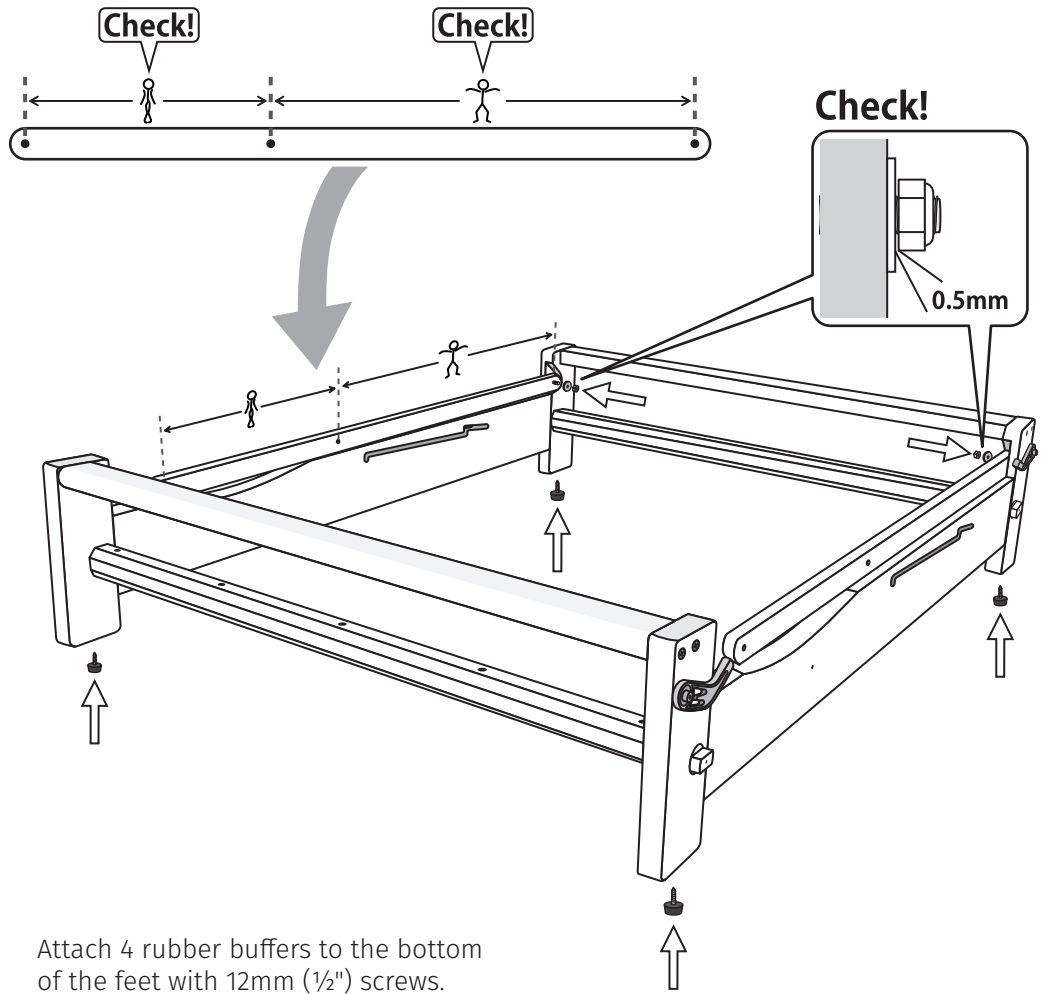
### Check!



9



Check the diagonal support arms are the correct way around, locate them onto the bolts and secure with washers and nuts. Leave a 0.5mm (1/32") gap under the nut so the arm can move freely.

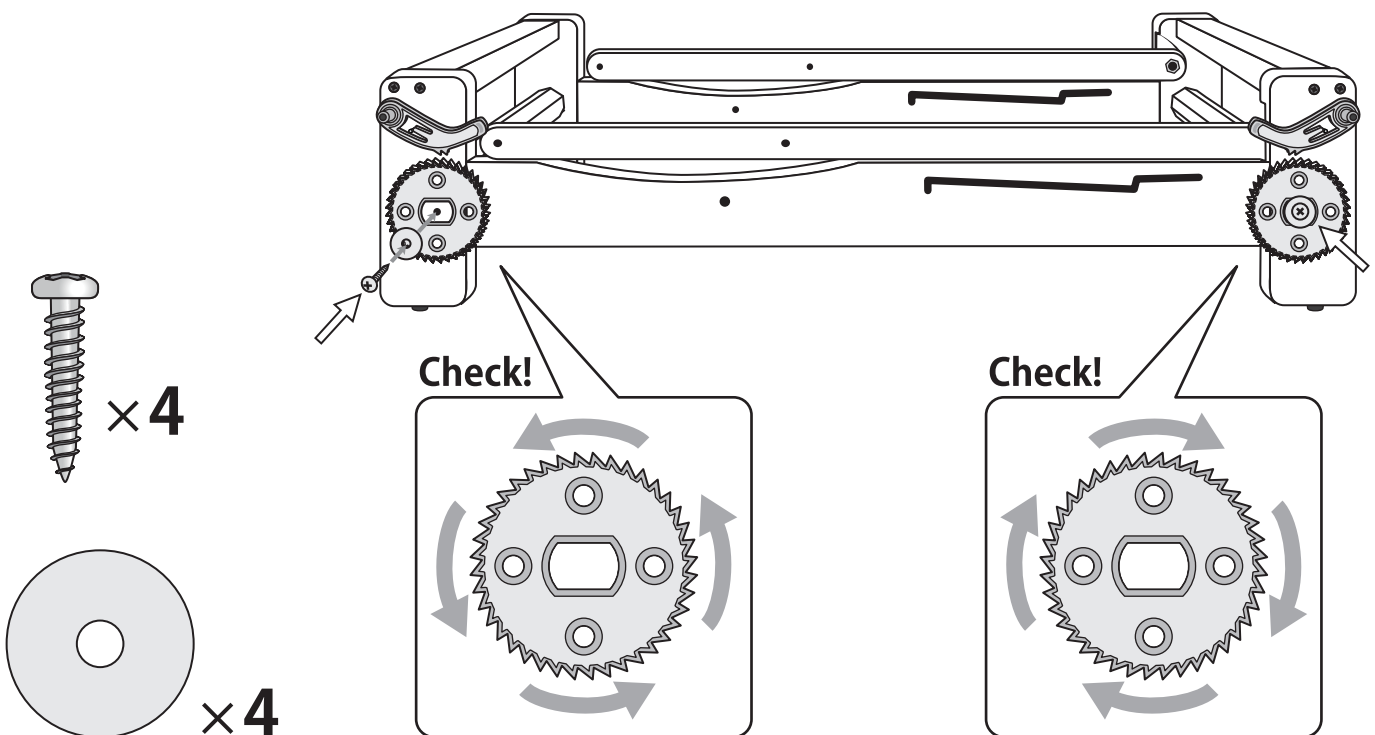


Attach 4 rubber buffers to the bottom of the feet with 12mm (1/2") screws.

10



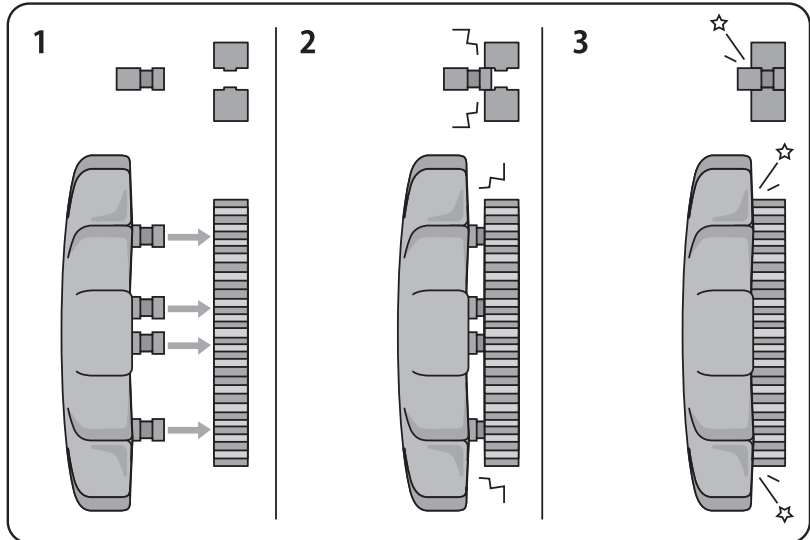
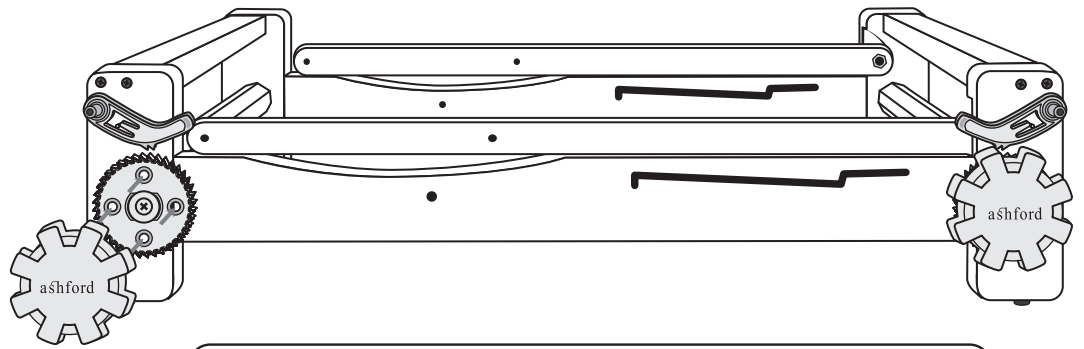
Place the cogs onto both ends of the rollers. Check the teeth engage the pawl. THEN secure with washers with small holes and 25mm (1") screws.



11



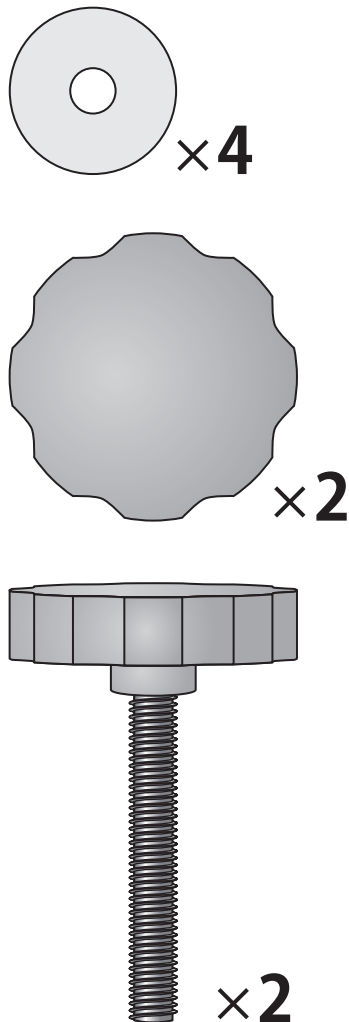
Rub candle wax on the 4 pins on the handle. Locate the 4 pins into the 4 holes in the cog. Give the handle a sharp hit with a rubber mallet so it locks down tightly onto the cog. There should be no gap between the handle and the cog. Repeat with other handle.



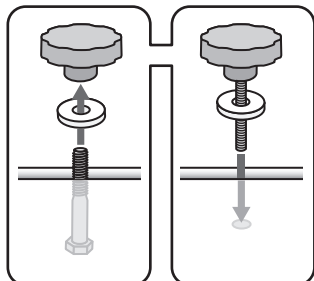
12



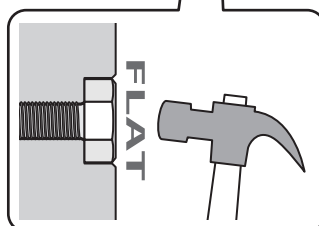
Place the castle inside the frame and attach with 40mm (1½") hex head bolts, washers and nylon knobs. Tap the heads of the bolts into the counter bored hole in the inside of the castle side and tighten the knobs until the heads of the bolts are level or below the surface of the castle side. Otherwise the end of the heddle frames will catch on them.



Check!



Check!

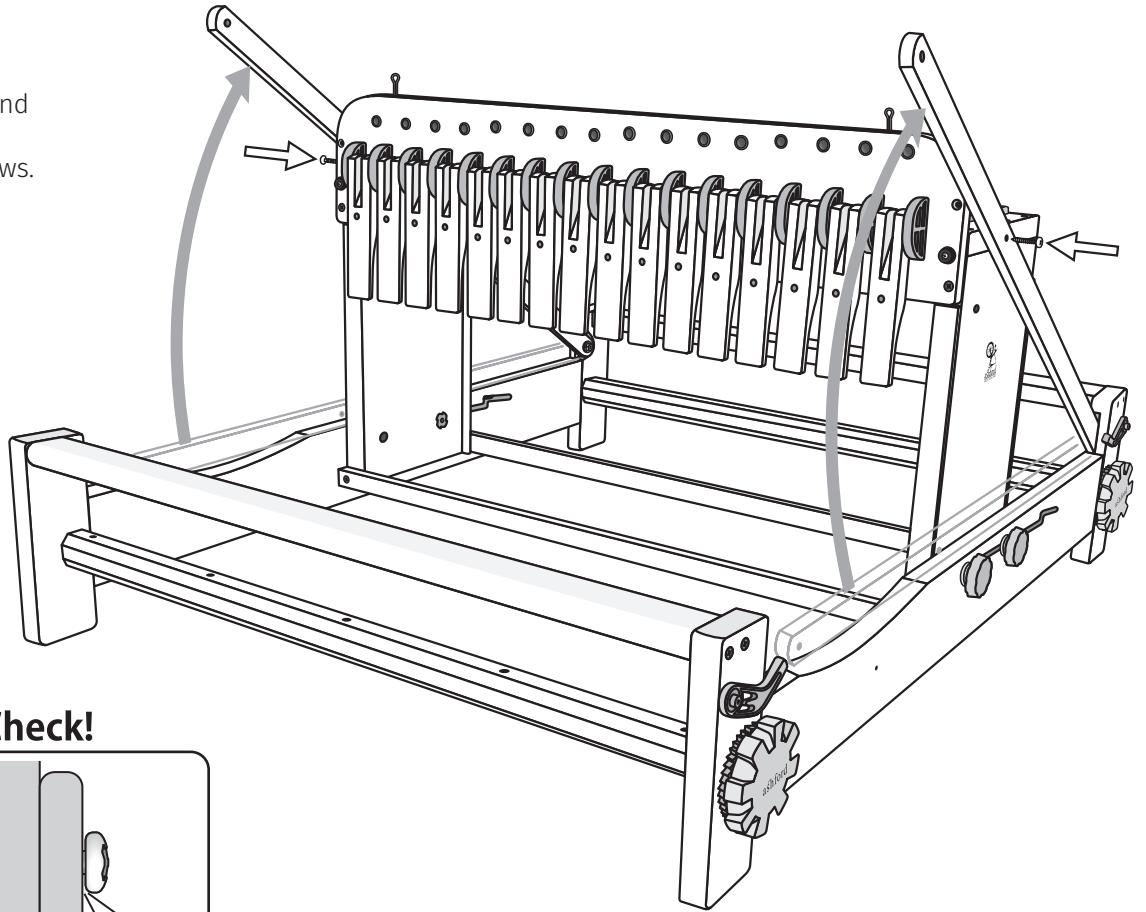


Place a washer onto the nylon knobs with the thread rod, thread them through the slot in the loom side and into the nuts inserted into the rear of the castle sides.

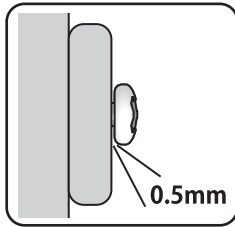
13



Lift the support rails up and attach them to the castle top with 30mm (1¼") screws. Leave a 0.5mm (1/32") gap.



Check!

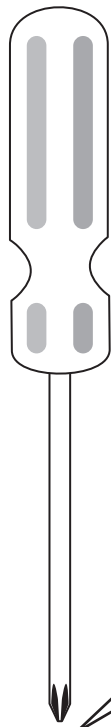


14

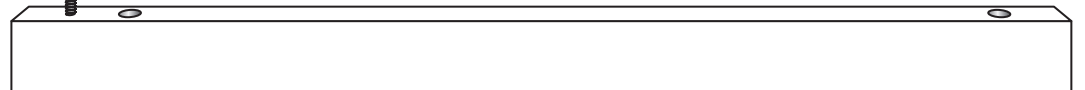
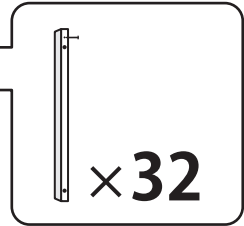
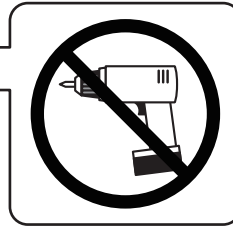
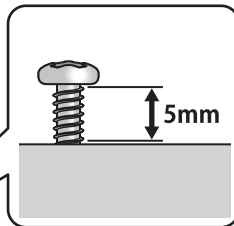


Thread the screws into the heddle frame ends using a hand held screwdriver and leave a 5mm (3/16") gap to loop the Texsolv nylon cord over.

Note: Do not use an electric screwdriver as it can drive the screws in too far and crack the heddle frame ends.



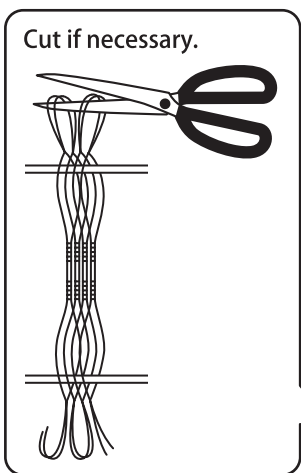
Check!



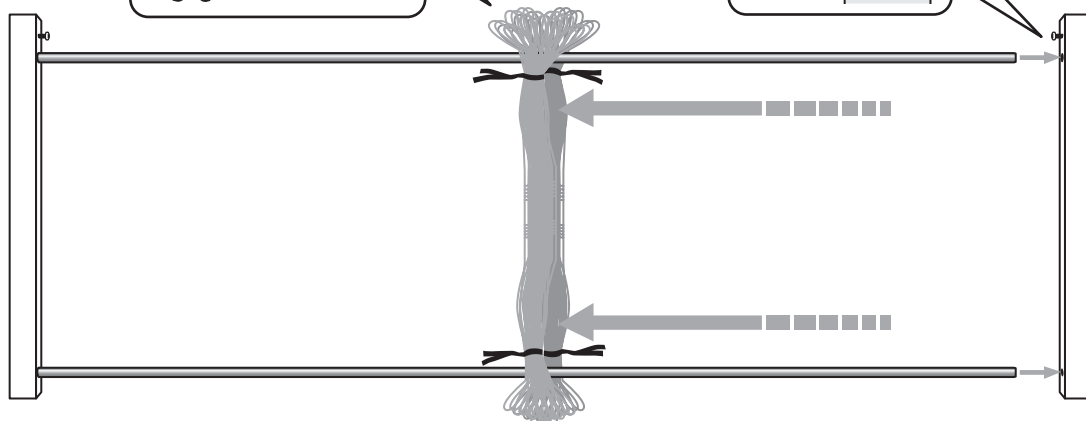
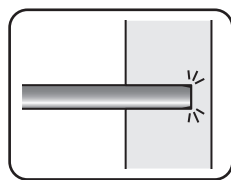
15

Push the metal bars into one heddle frame end, slide 2 bundles of Texsolv heddles over the bars and push the other end in place. Only then remove the plastic ties. If necessary, cut the Texsolv heddles to separate them. Lay each heddle frame on a flat surface and check the two ends are parallel.

Check!



Check!

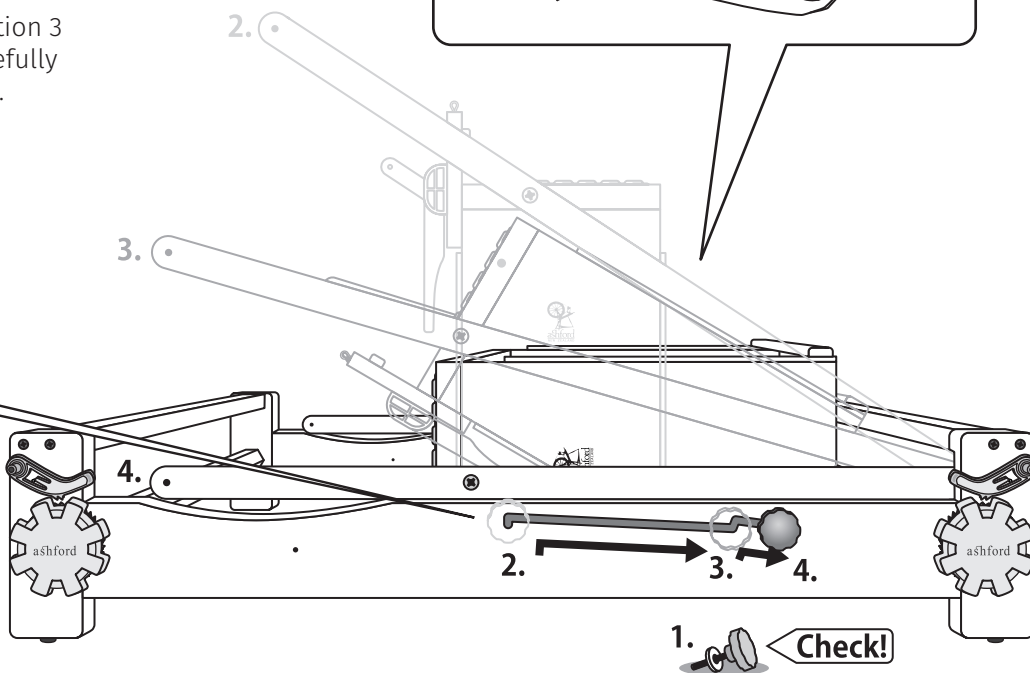
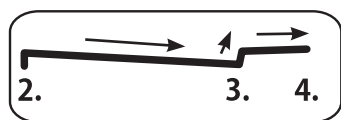
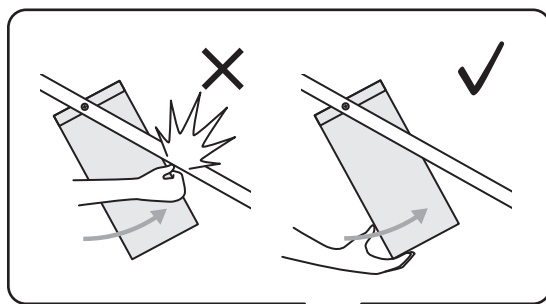


×16

16

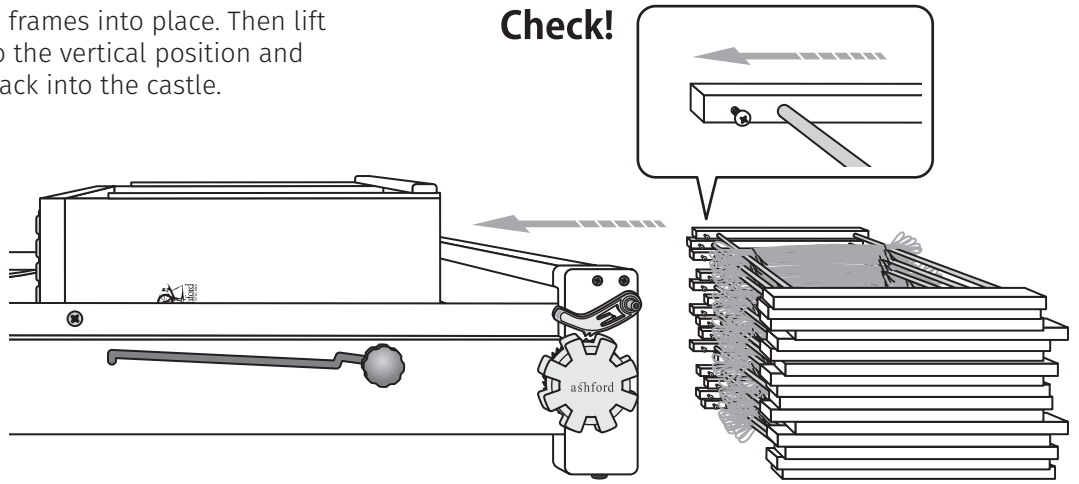
Remove the 2 knobs threaded into the rear of the castle. Lift the castle and fold it flat. Be careful to hold as directed so you don't jam your fingers. The groove in the side has a two stage path - this is a safety feature so the loom doesn't fold too quickly. DO NOT force the loom from position 3 into position 4. Lift the castle carefully up the groove before sliding back.

Check!

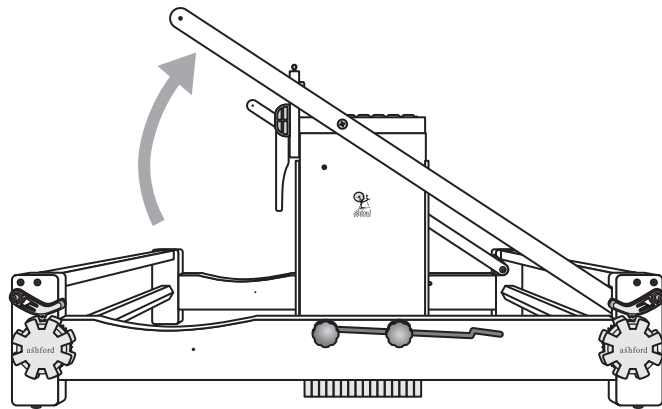


- 17** Slide the 16 heddle frames into place. Then lift the castle back into the vertical position and thread the knobs back into the castle.

**Check!**

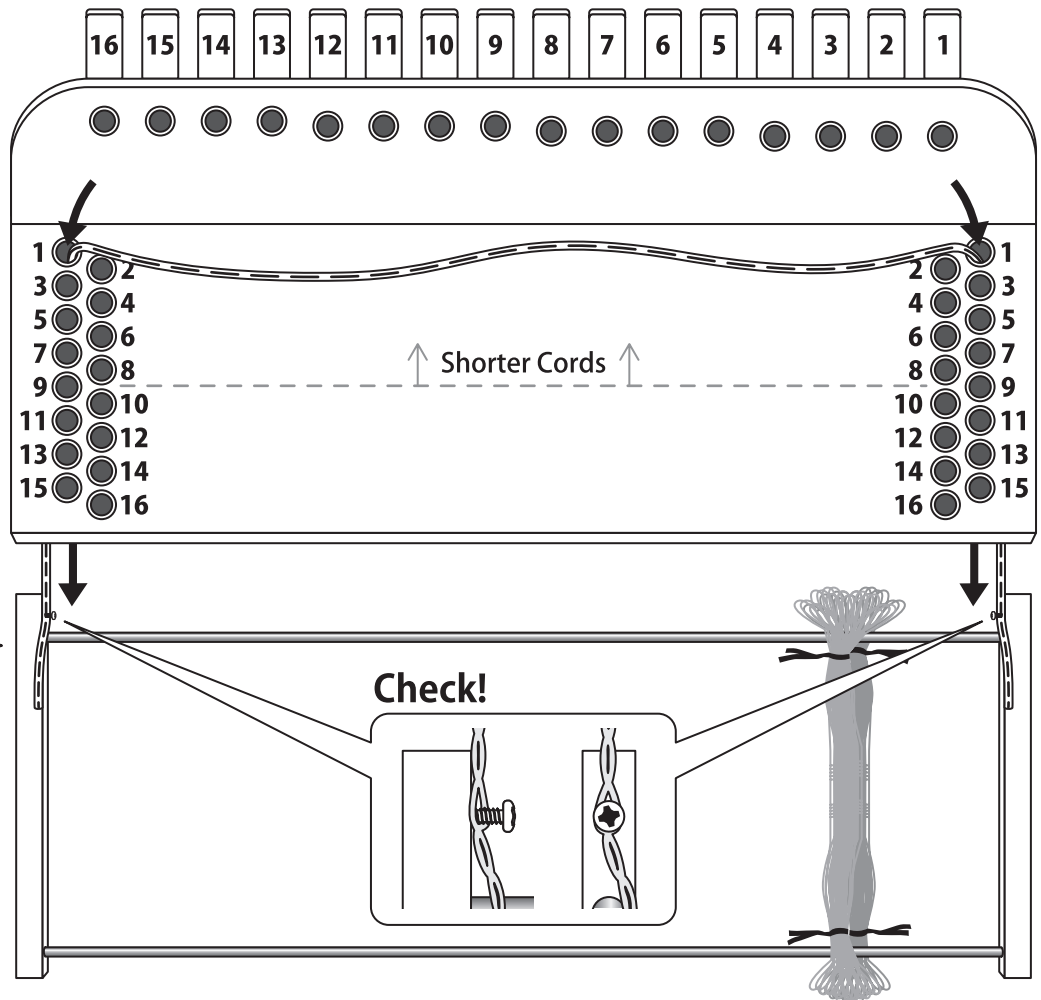
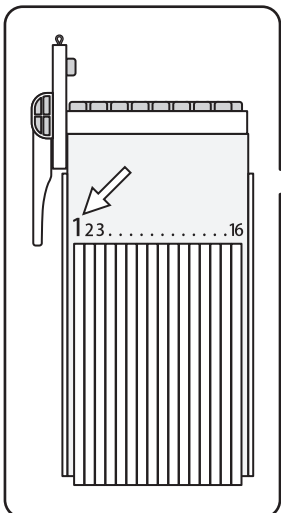


Lift the castle back into the upright position. Allow the heddle frames to sit on the table.



- 18** There are 2 different lengths of Texsolv cord to attach the heddle frames to the handles. Use the shorter lengths for the front 8 heddle frames. Start with the front heddle frame (1) and lever (1) as shown. Then repeat for all the heddle frames until the back heddle frame (16) is attached to the lever (16).

**Check!**

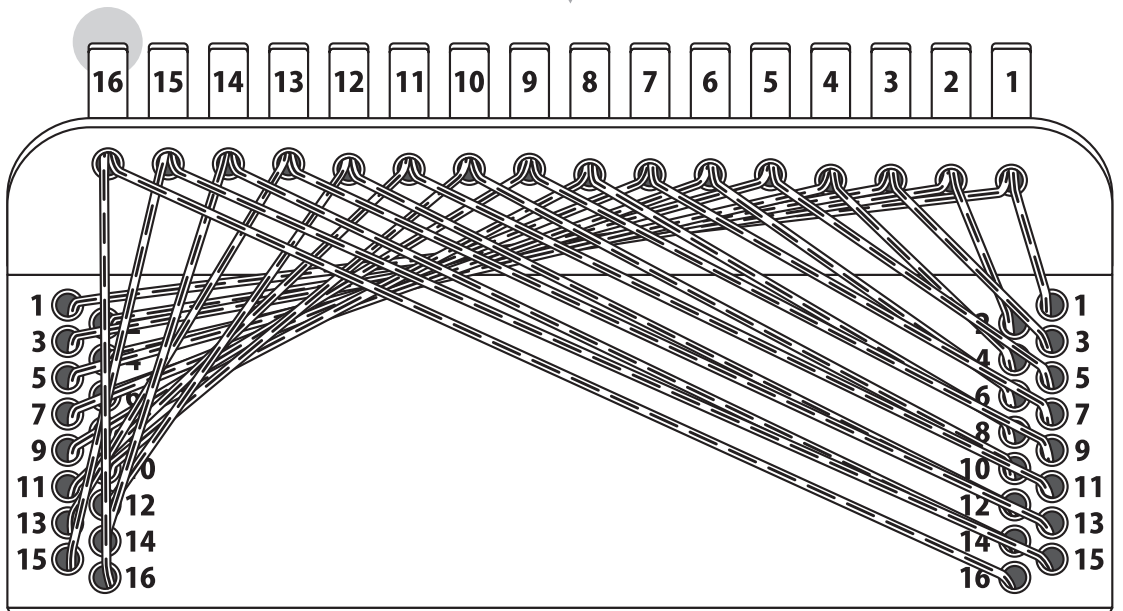
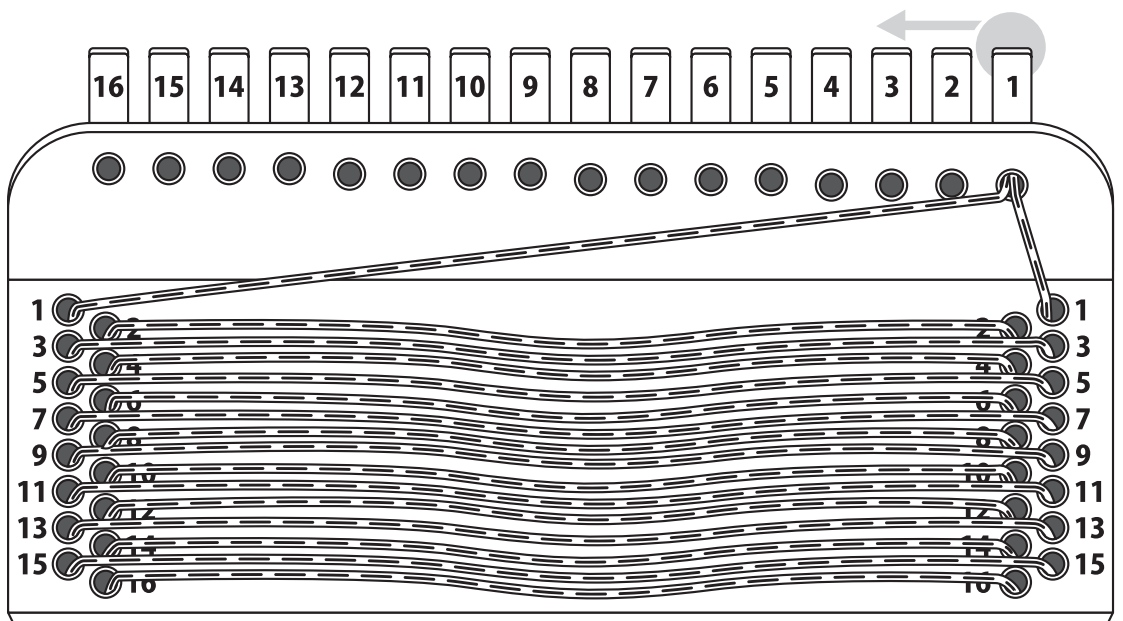
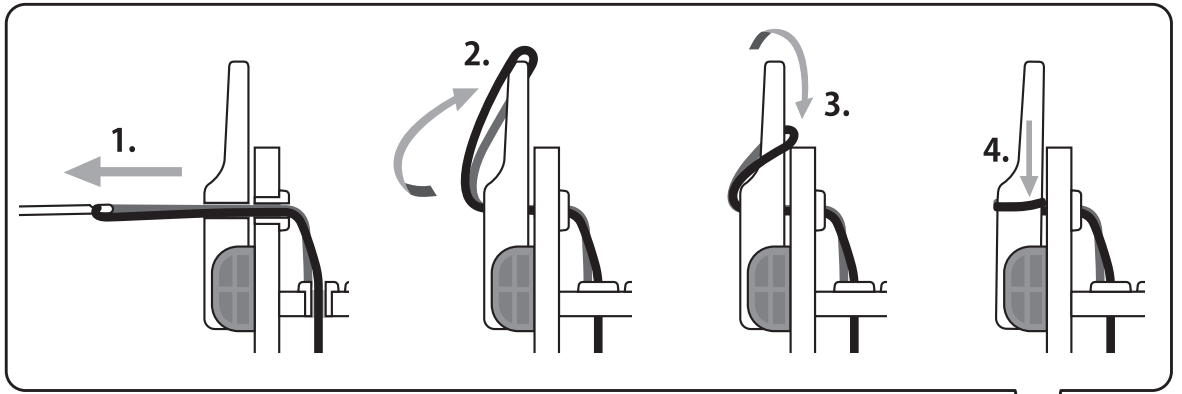


19

Use the threading hook.

*Note: If necessary, slide the cord around the handle until the heddle frame hangs level.*

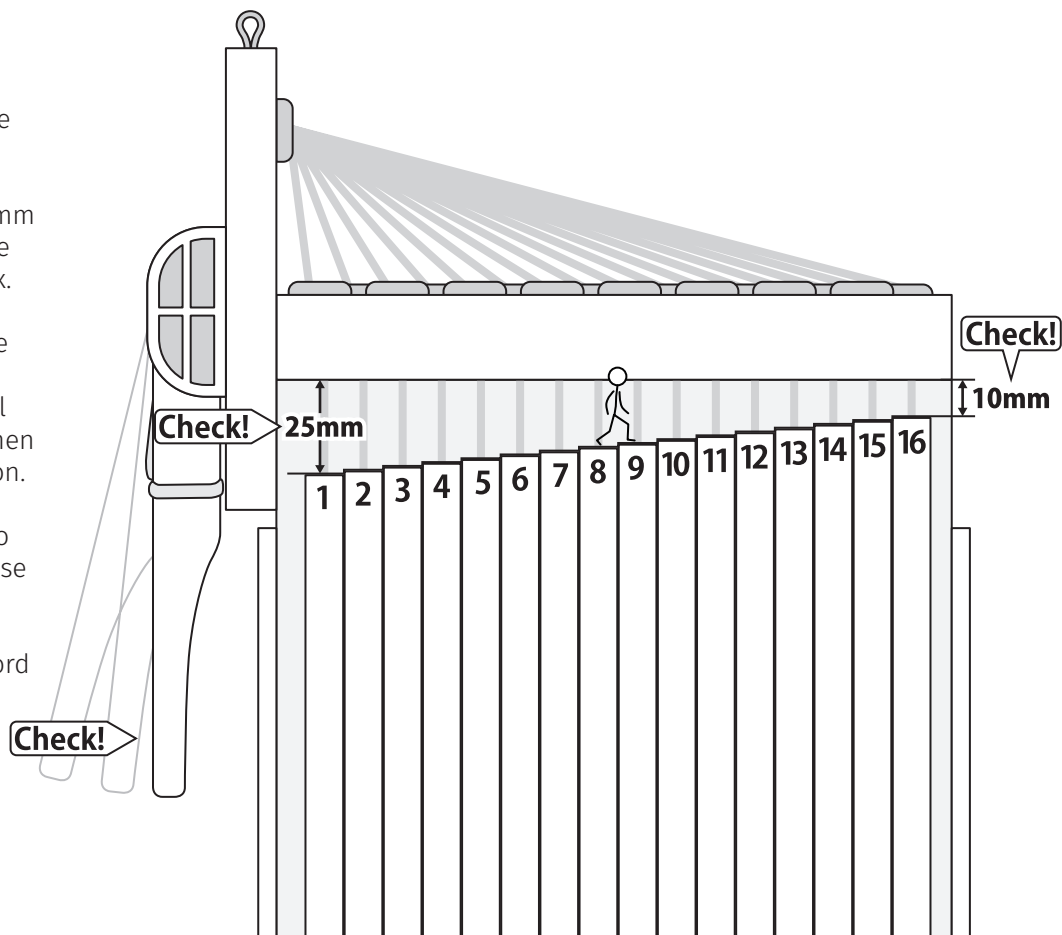
### Check!



20

Once all the heddle frames have been attached, re-adjust the Texsolv cords so that the front heddle frame hangs approx. 25mm (1") below the castle top and the rear heddle frame hangs approx. 10mm (3/8") below. The holes in the levers are drilled so that the back heddles frames lift more than the front. This results in all the warp threads being level when the levers are in the rest position. Once you have adjusted the position of the heddle frames to your satisfaction, you may choose to cut the cord at least 3 slots from the screw head.

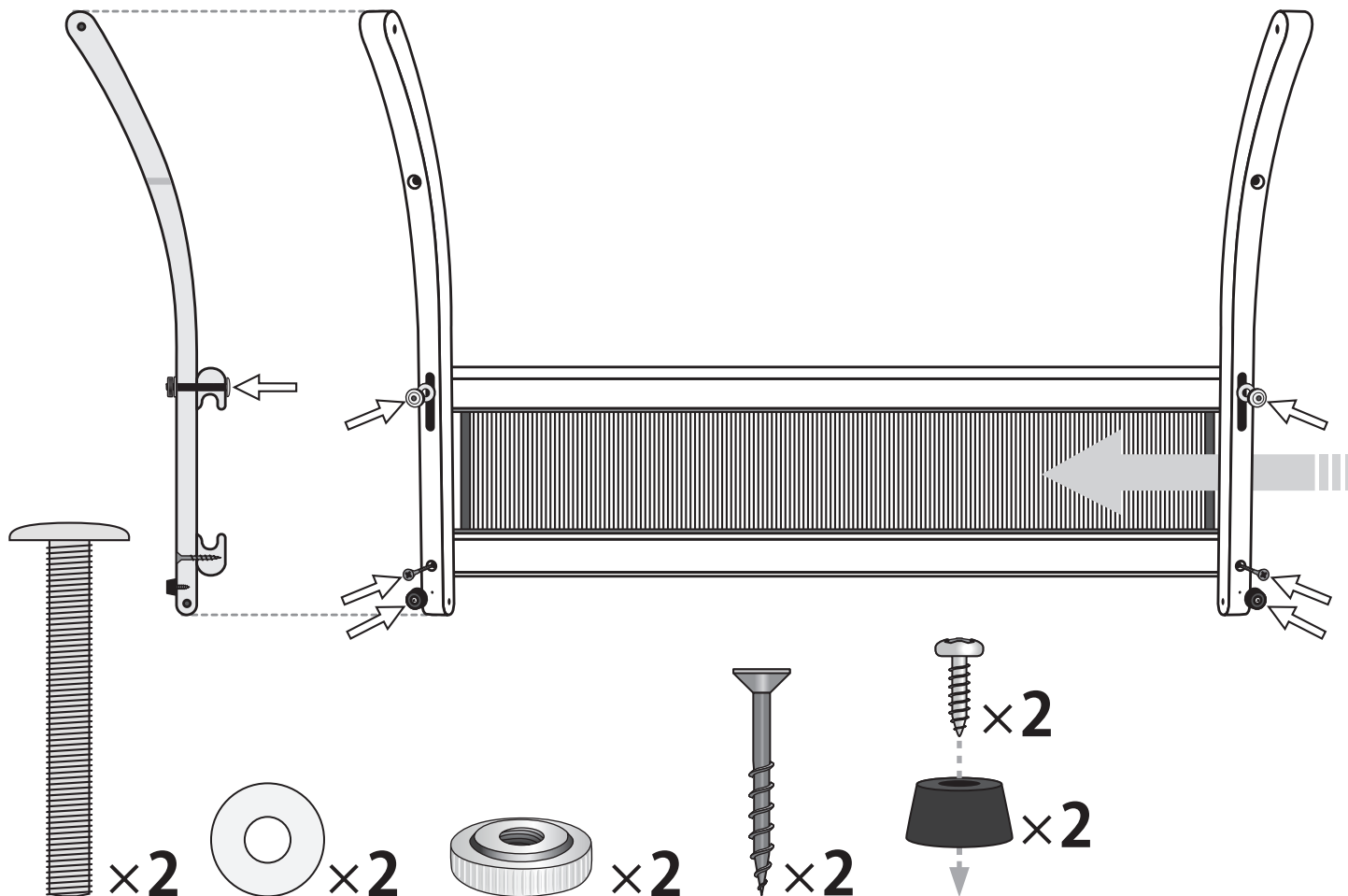
Note: The slots in the Texsolv cord are approx. 10mm (3/8") apart.



21



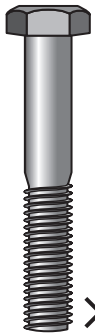
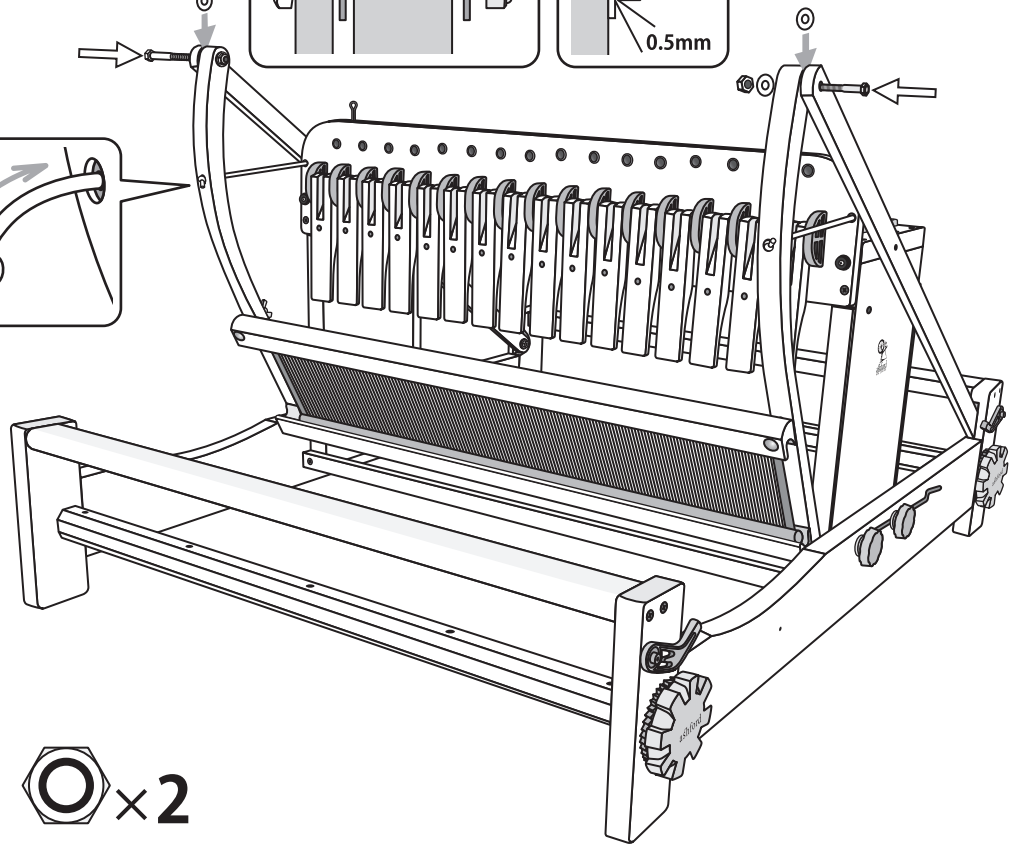
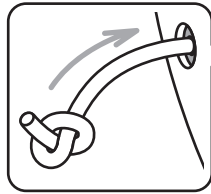
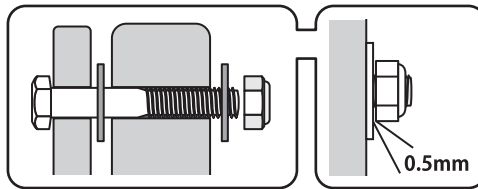
Attach rubber buffers to the beater sides with 12mm (1/2") screws. Then assemble the beater frame with 30mm (1 1/4") screws, 50mm (2") bolts, washers and thumb nuts. Use the hex wrench to tighten.



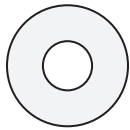
**22** Attach beater frame to the support rails. Leave 0.5mm (1/32") gap so the beater can swing freely.

*Note: If the beater frame rubs against the loom sides loosen the thumb nuts and screws and retighten. Stretchy cord - knot the cord 10mm (1/2") from one end, slide through the hole in the beater support rail, the hole in the castle front and loosely knot the other end. Adjust the position of the knot behind the castle front to increase or reduce the tension so the rubber feet on the beater touch the castle sides.*

**Check!**



x2



x4

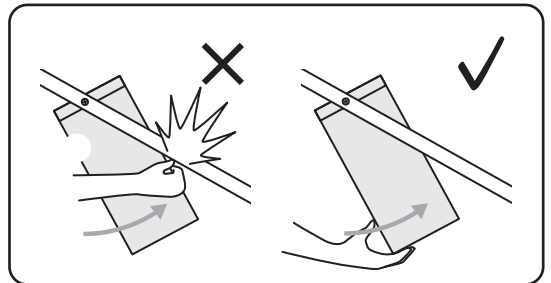


x2

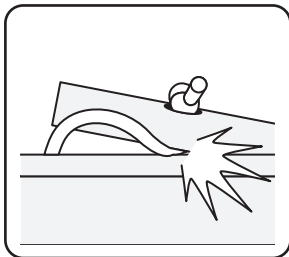
## HOW TO FOLD

To fold the castle, loosen the front knobs slightly and completely remove the back knobs. Lift and slide the castle down the slots. When it reaches the safety stop, lift the bottom of the castle again and allow it to fold down completely. Then insert the knobs back through the slot and into holes near the top of the castle side and tighten. This will ensure the castle is well supported when transporting the loom.

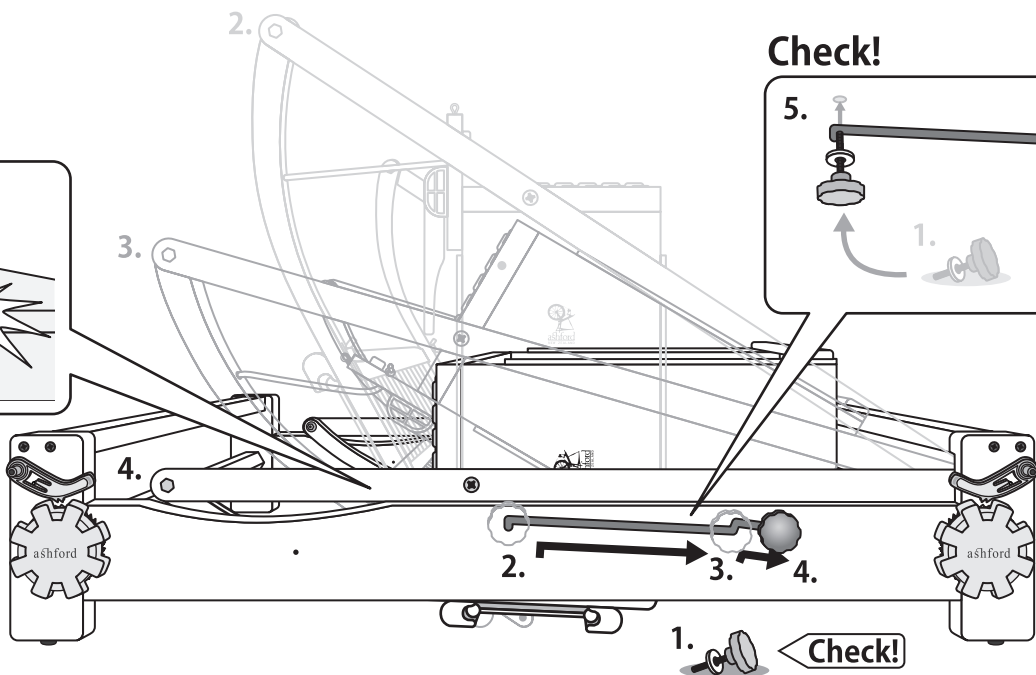
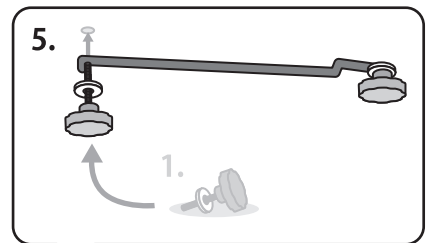
**Check!**



**Check!**

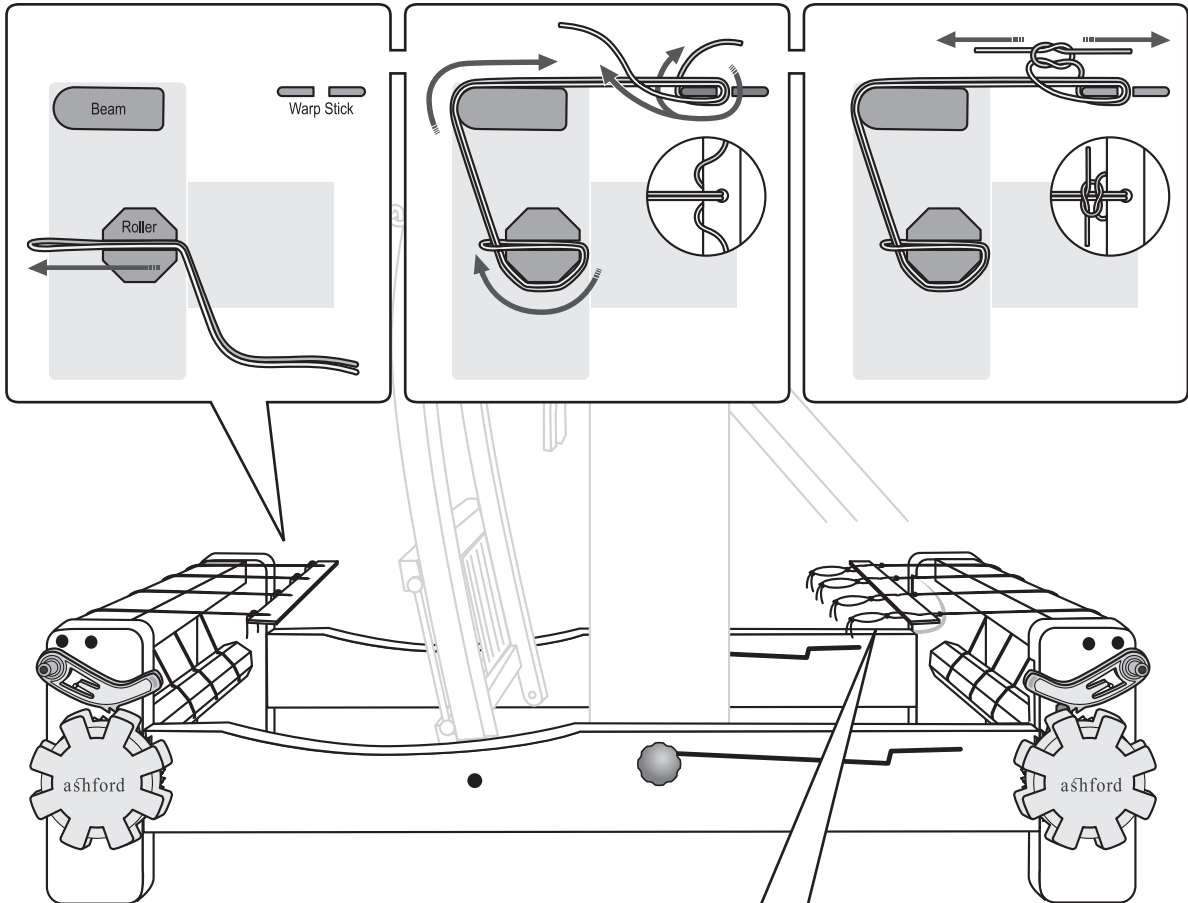


**Check!**

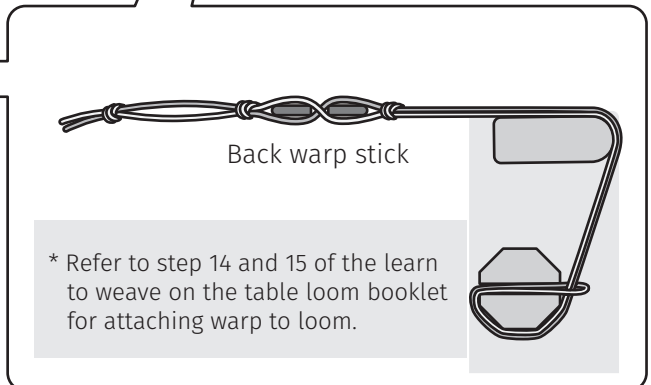
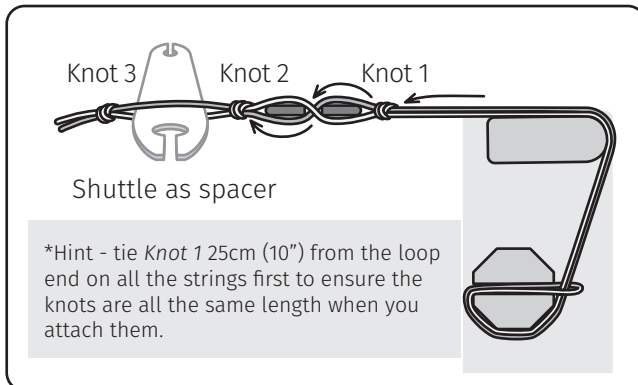


**Check!**

## Tying on the front warp stick

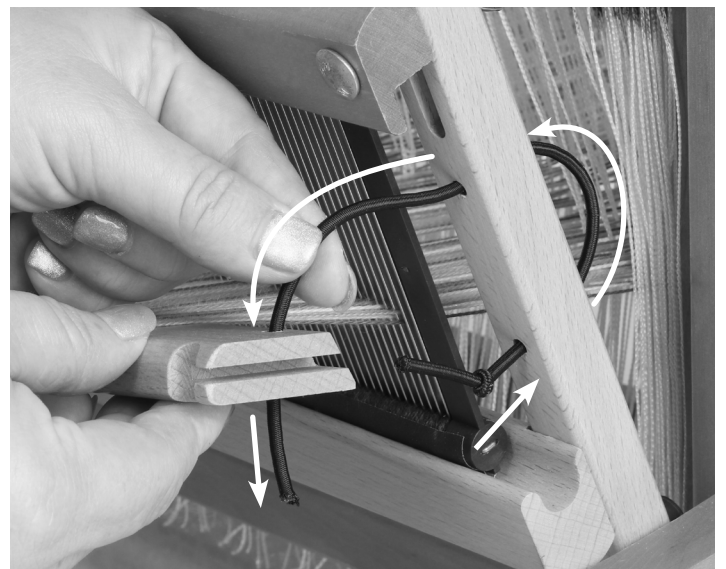


## Tying on the back warp stick



## Attaching the shuttle race

1. Tie a knot in one end of the stretchy cords and thread the unknotted end through the bottom hole in the beater arm, up the back and through the top hole.
2. Then down through the hole in the Shuttle Race and tie a knot loosely (so it can be adjusted).
3. Repeat for the other side.





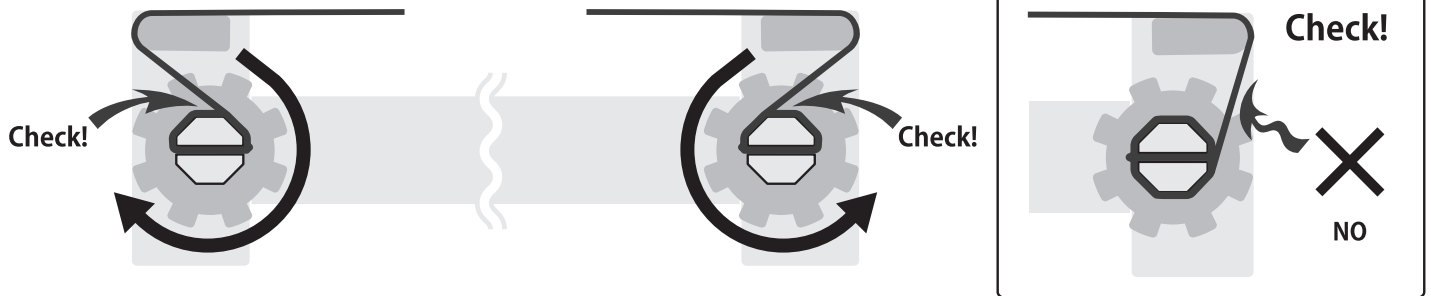
4. Hold the Shuttle Race against the reed and pull the knot out from the beater arm, through the slot in the end of the Shuttle Race and position the knot into the notch. Repeat for the other side.
5. Adjust the position of the knots to increase or decrease the flexibility of the Shuttle Race. The Shuttle Race should flex down when you gently press it. This is so it can flex out of the way when you are beating.

**NOTE:** For convenience when dressing the loom and threading the reed, the Shuttle Race can be dropped down out of the way by removing the bungy cord from the slot.

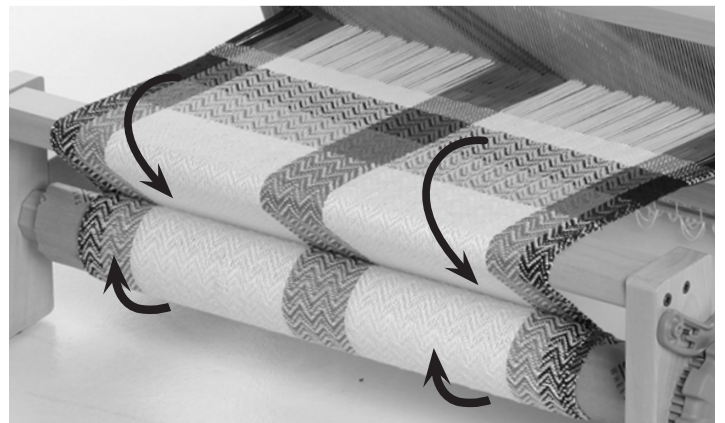


## IMPORTANT

Check the warp winds onto the front and back rollers in the correct direction.



Winding the warp on the back roller.



Winding the warp on the front roller.

**\*Hints** - To release the warp tension to advance the warp, turn the handle slightly and then lift the pawls on both ends out of the teeth. Lift all the heddle frames before folding.

Now follow the easy step by step "Learn to weave on the Table Loom booklet" for your first woven sample!

Real Scale Hardware List

