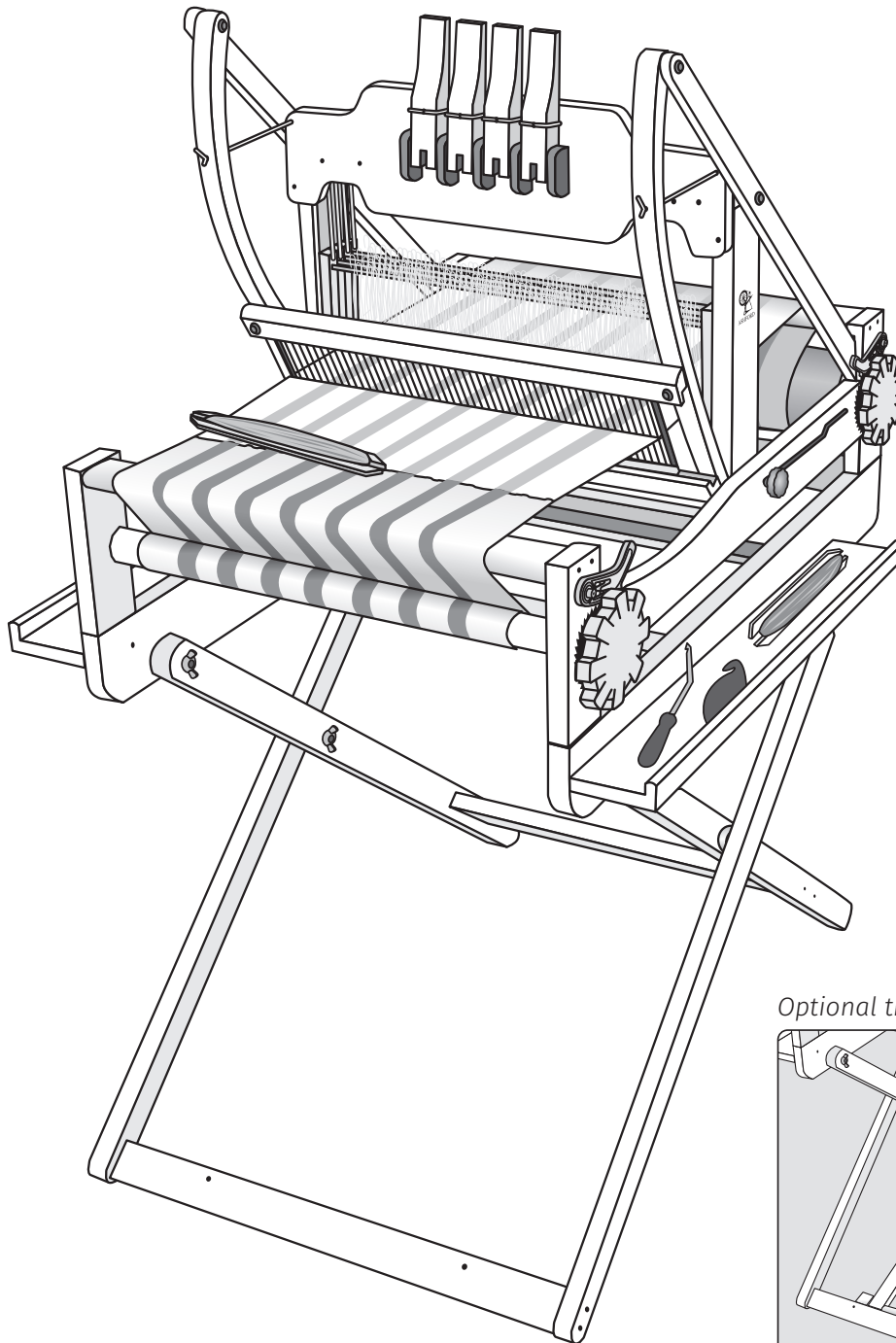
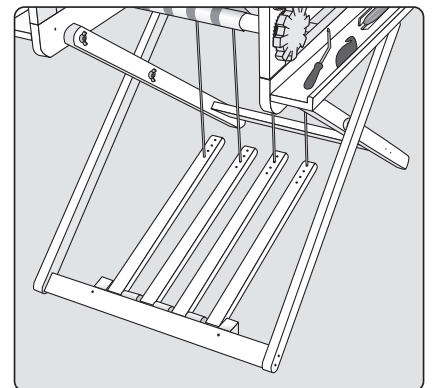


TABLE LOOM STAND

40cm (16"), 60cm (24"), 80cm (32")



Optional treadle kit available



TLS021025

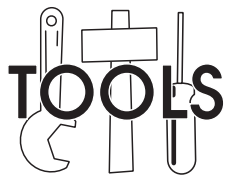
Ashford Handicrafts Limited
415 West Street, Ashburton 7700, New Zealand
Telephone 64 3 308 9087
sales@ashford.co.nz www.ashford.co.nz

Ashford Guarantee

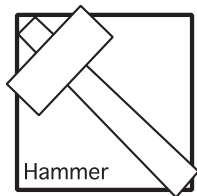
Thank you for purchasing this Ashford product. In the unlikely event of a fault in manufacture, please contact the dealer you purchased it from.

Ashford Blog

For inspirational articles, patterns and projects. Subscribe for free www.ashford.co.nz/blog



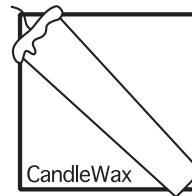
TOOLS



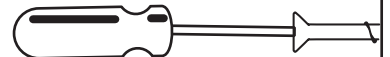
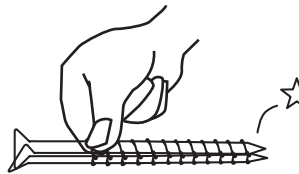
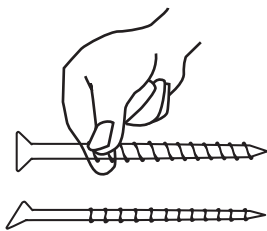
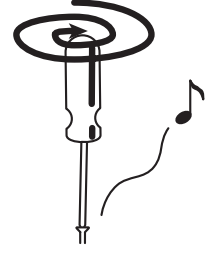
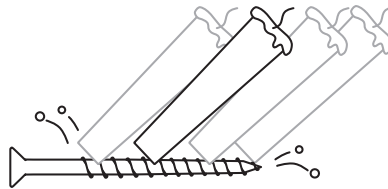
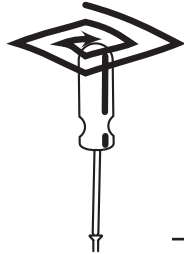
Hammer



Screwdriver

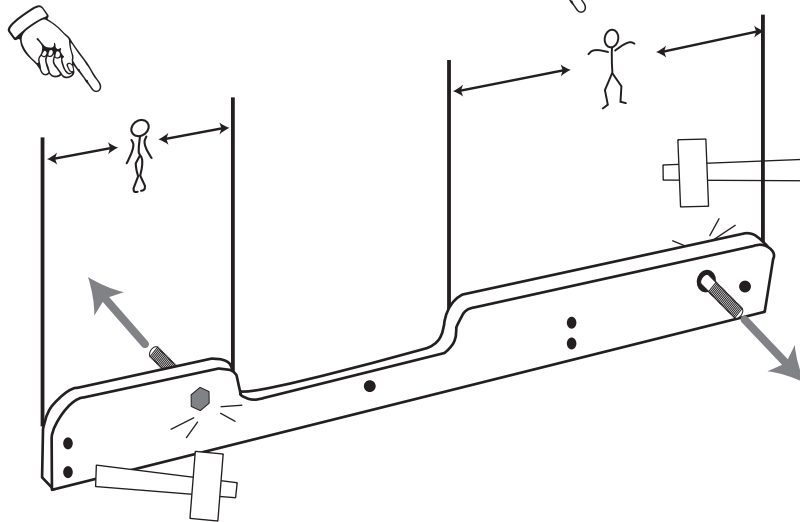


CandleWax

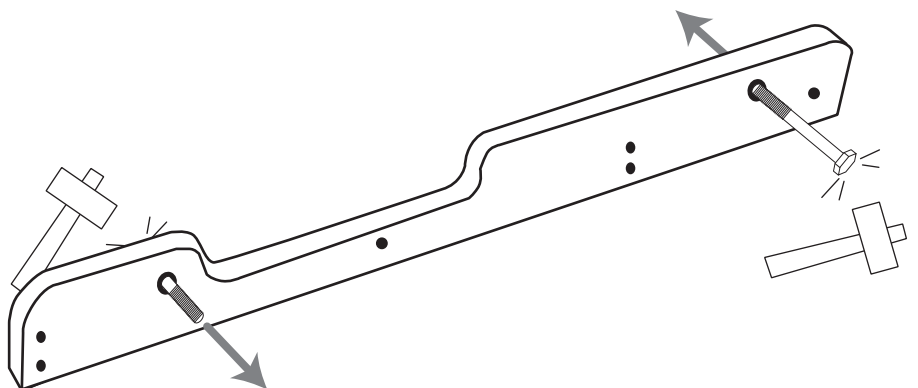


1

!Check



x4

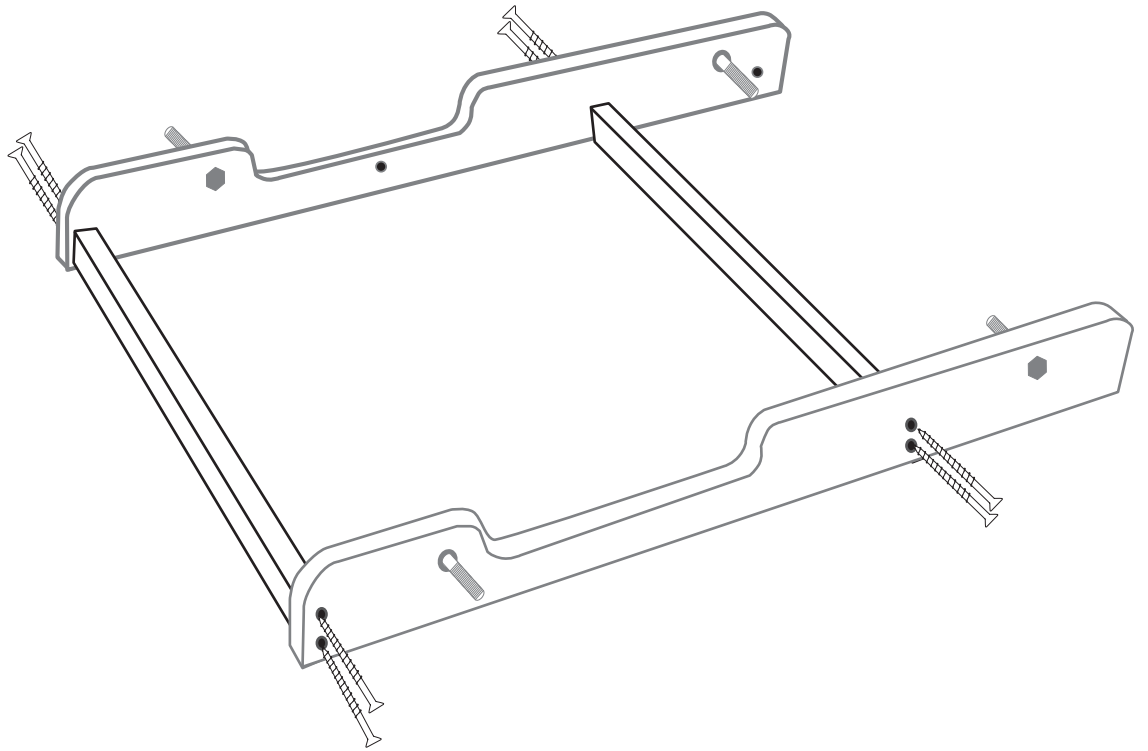


2

!Check



x8

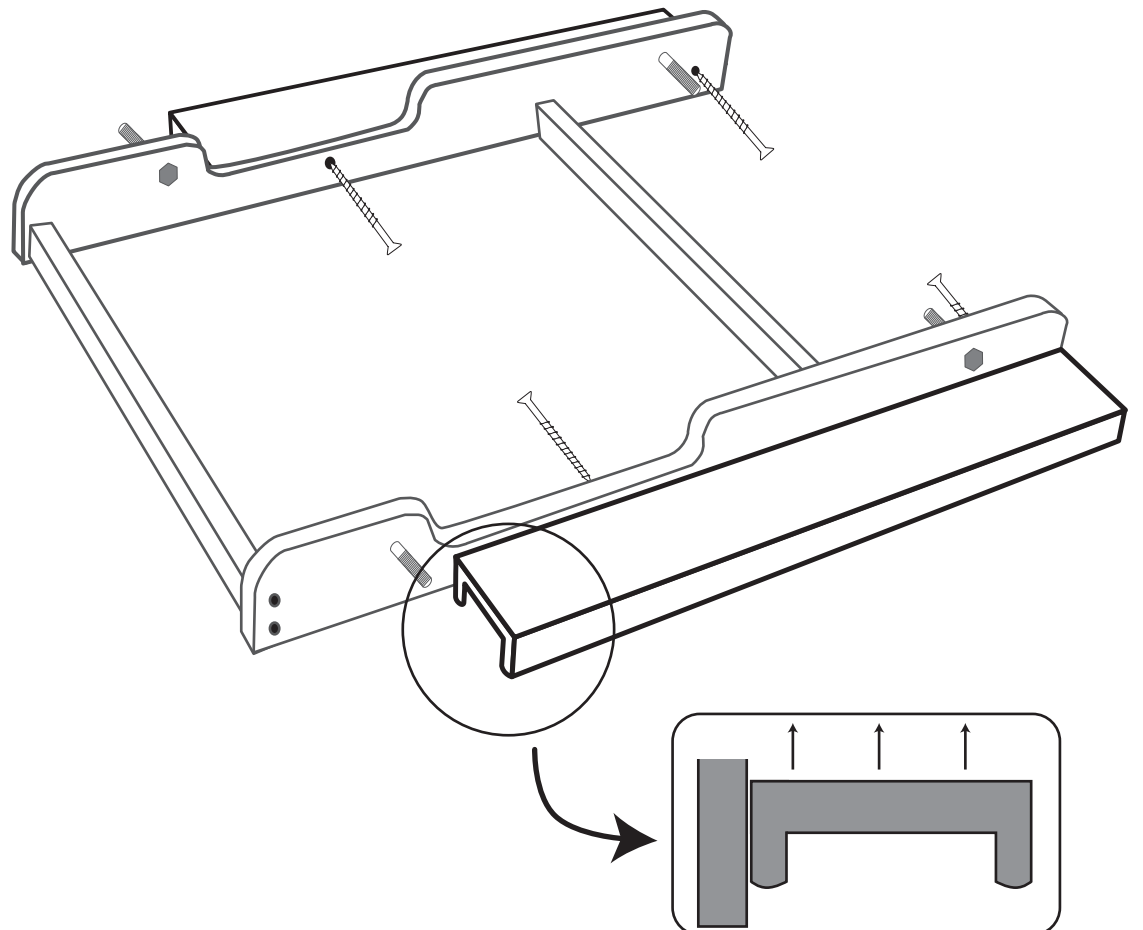


3

!Check



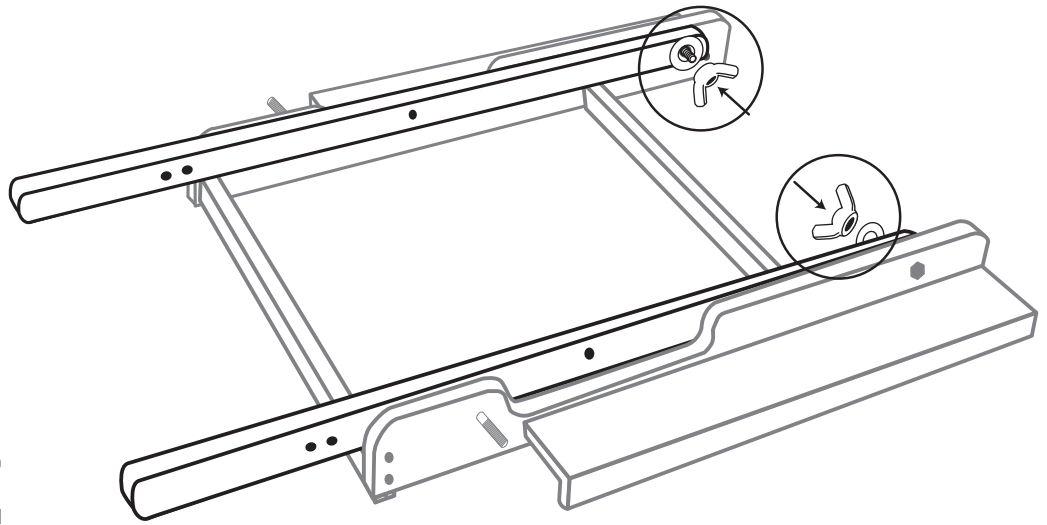
x4



④

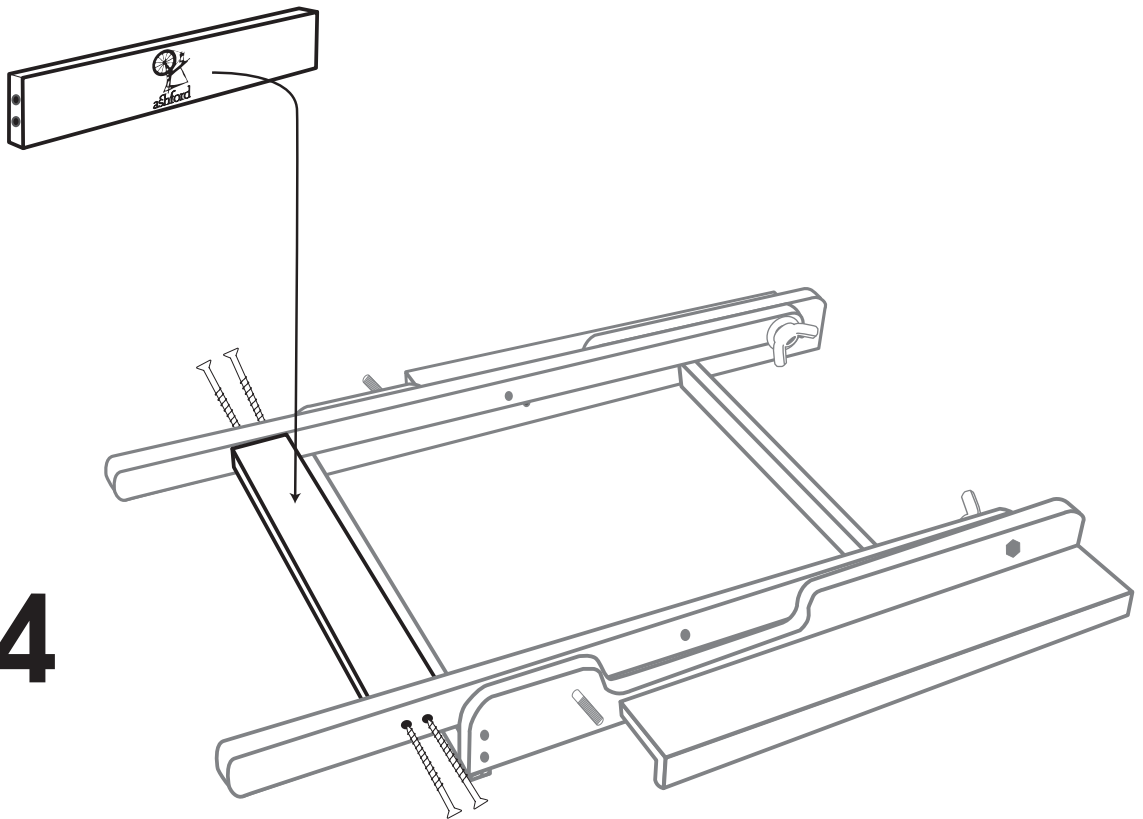
○ x 2

∩ x 2

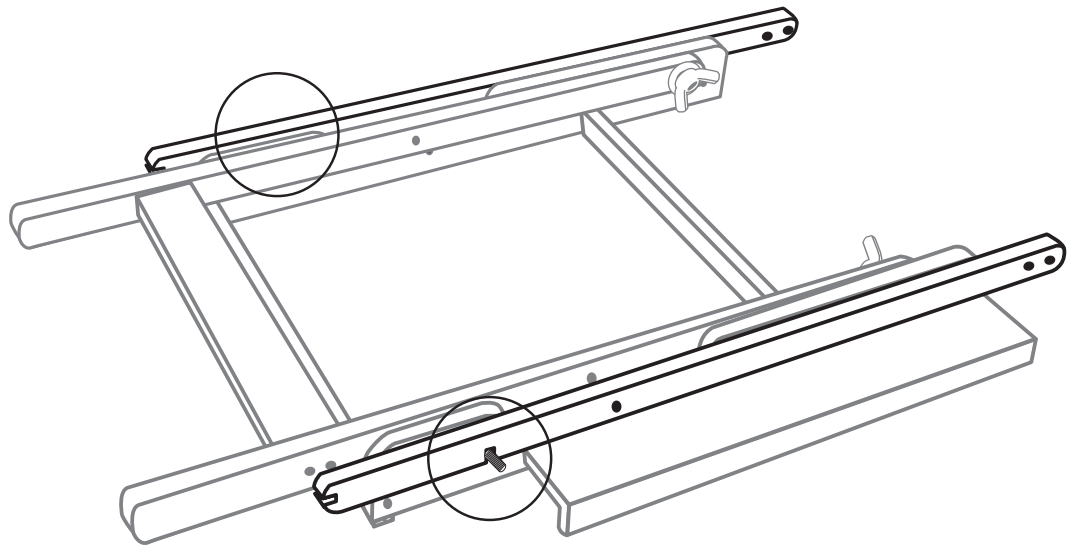


⑤

⌘ x 4



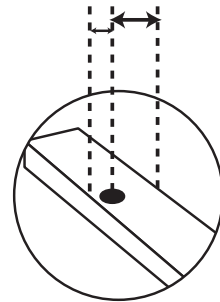
6



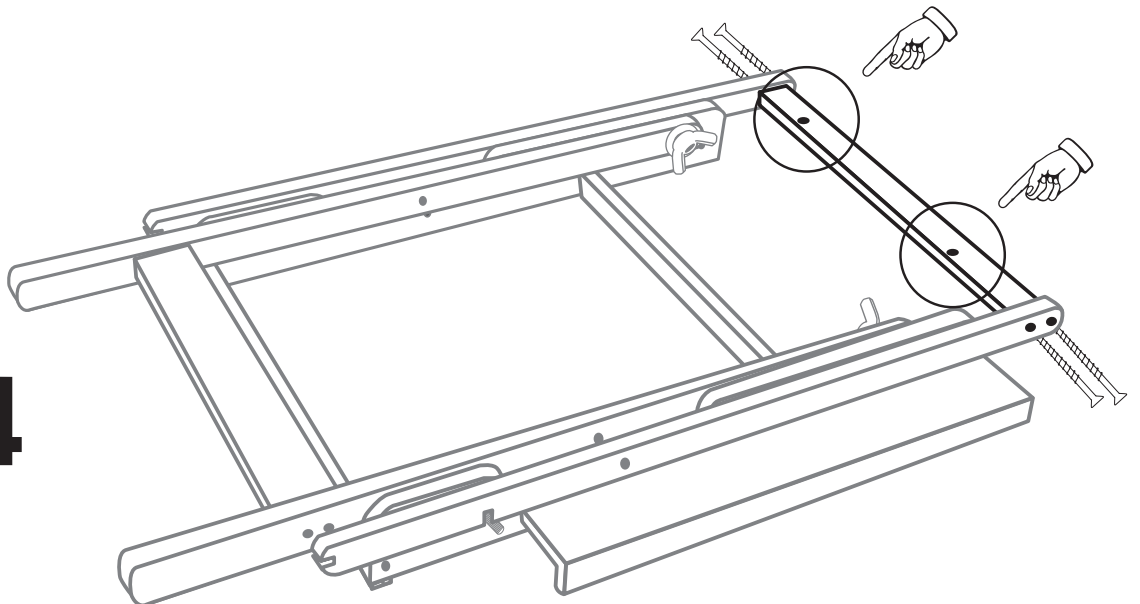
7

Note: The countersunk is underneath

!Check

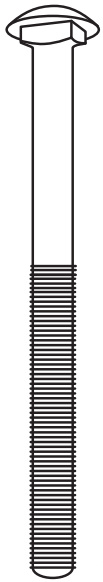
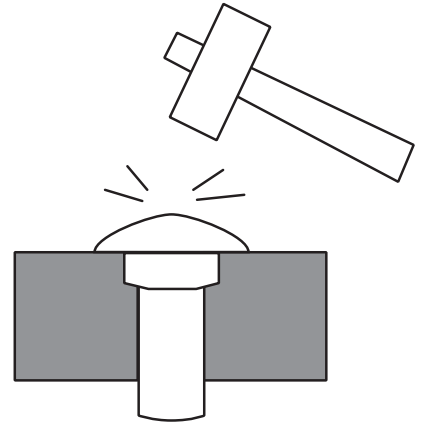
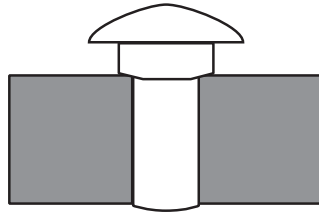


x 4



8

!Check



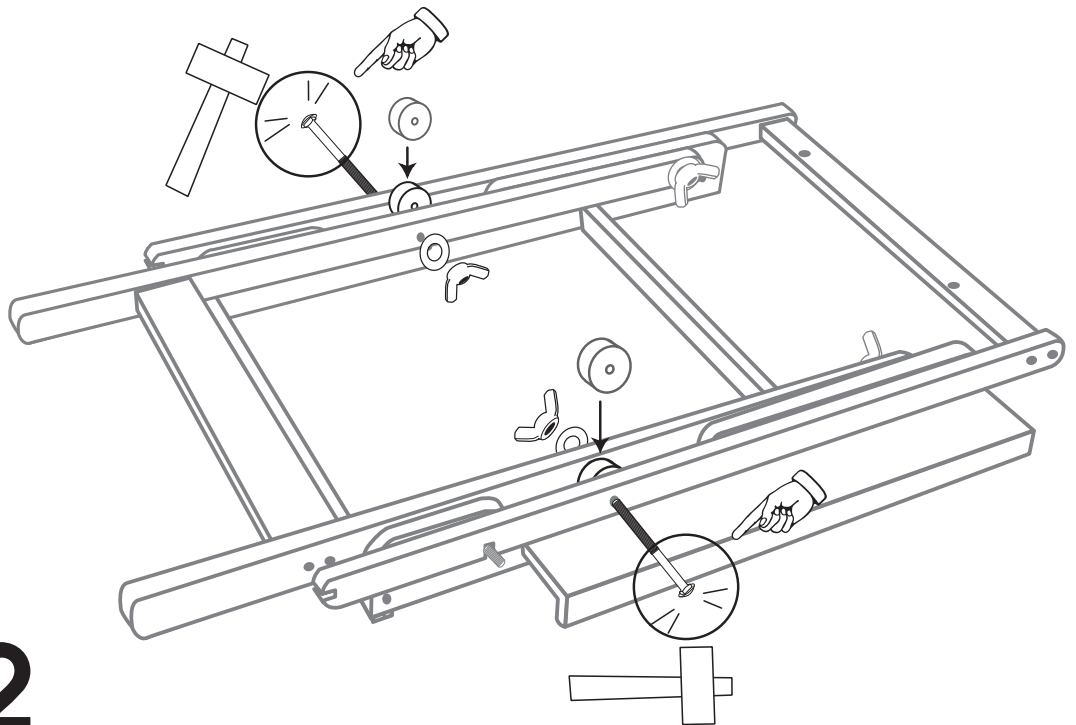
x 2



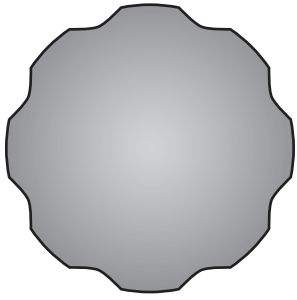
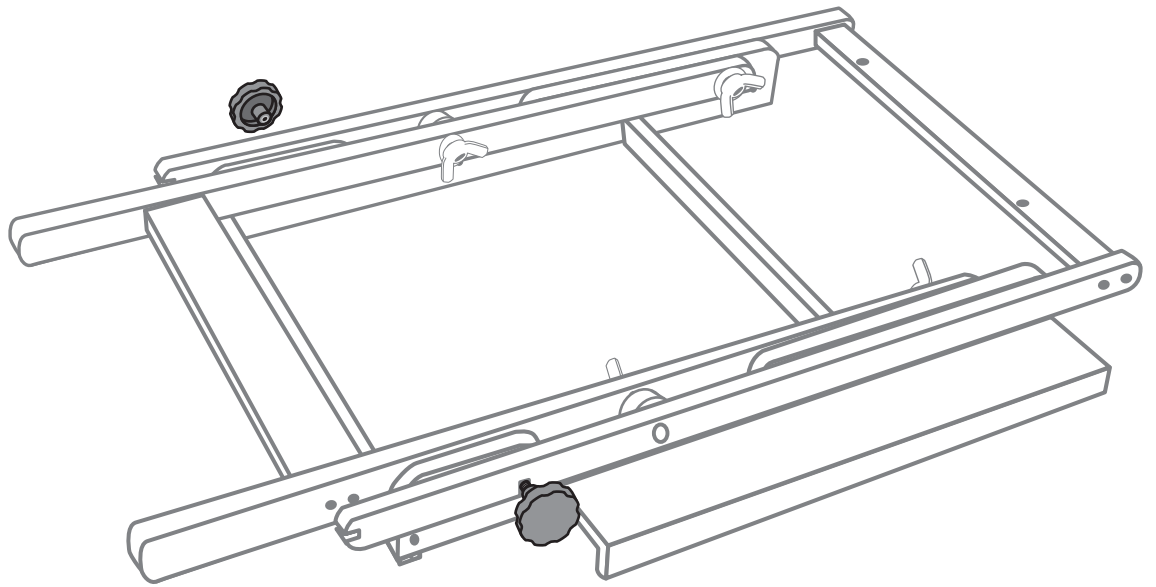
x 2



x 2

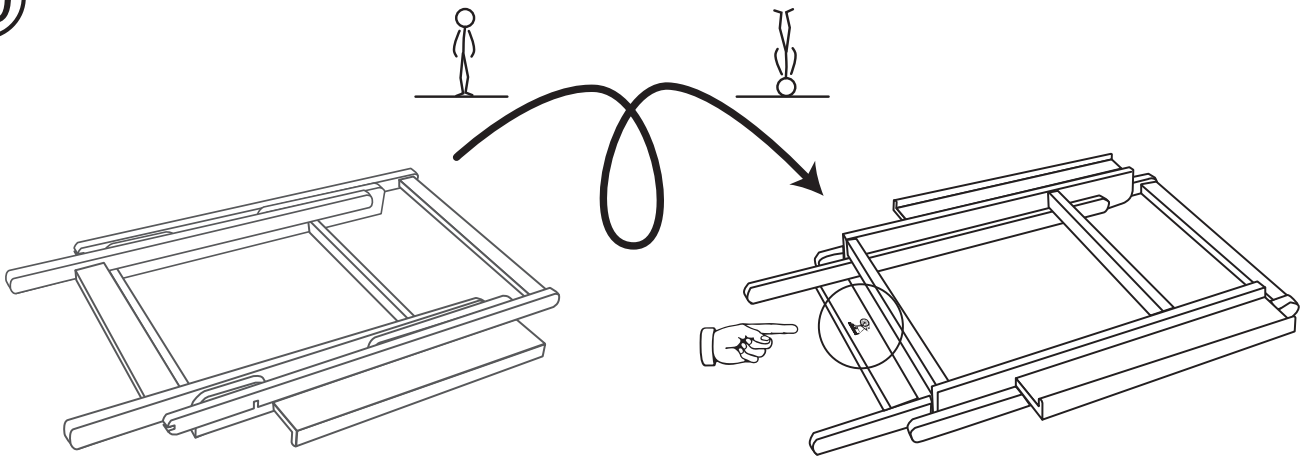


9



x 2

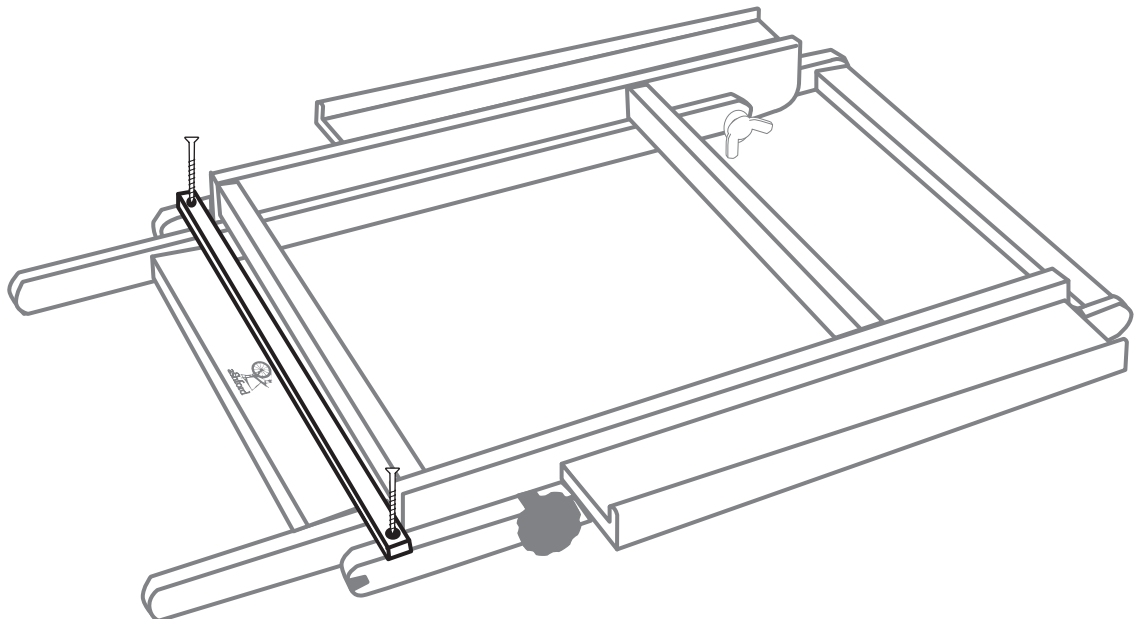
10



11

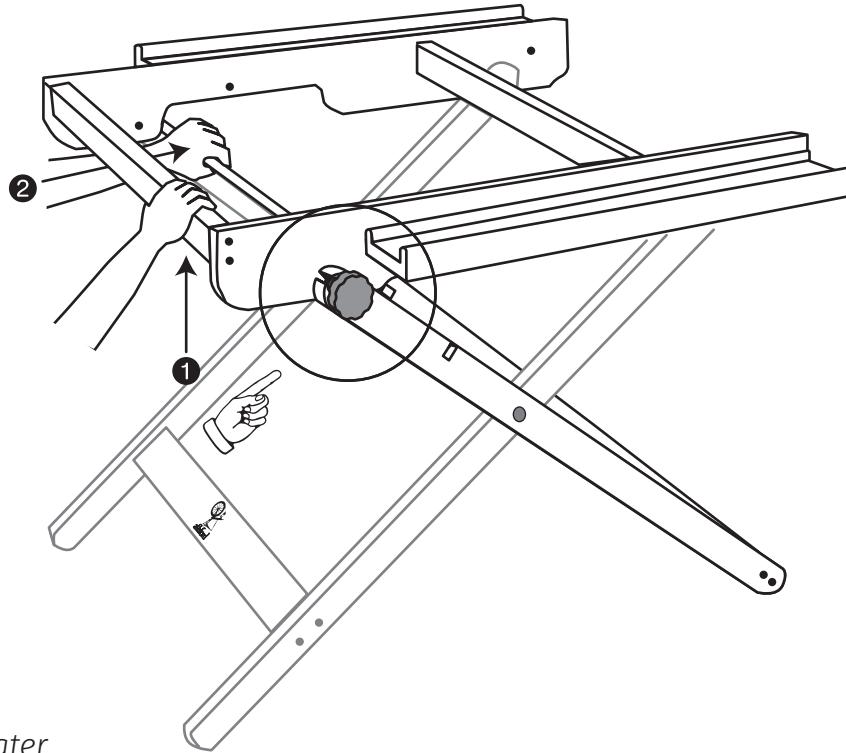
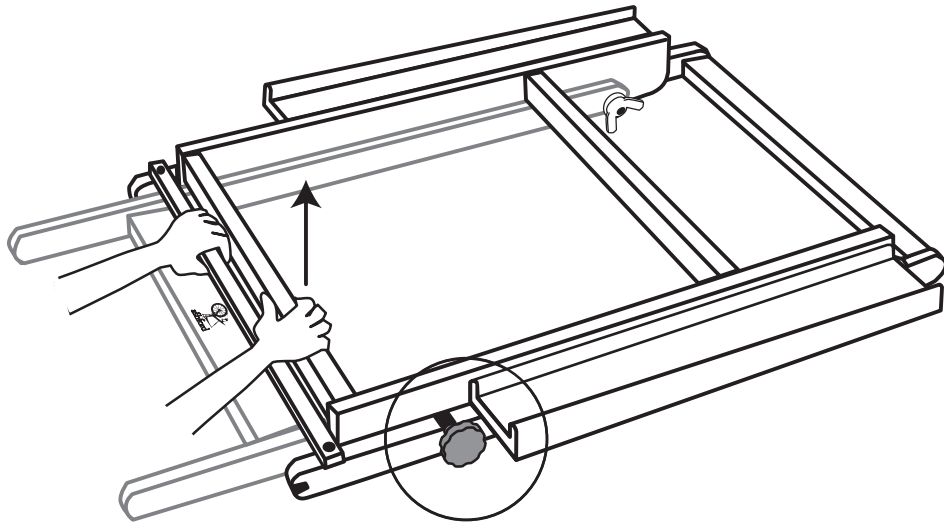


x 2



12

!Check



Please note: The optional treadle kit may be fitted later.

Full size hardware for Table Loom Stand

