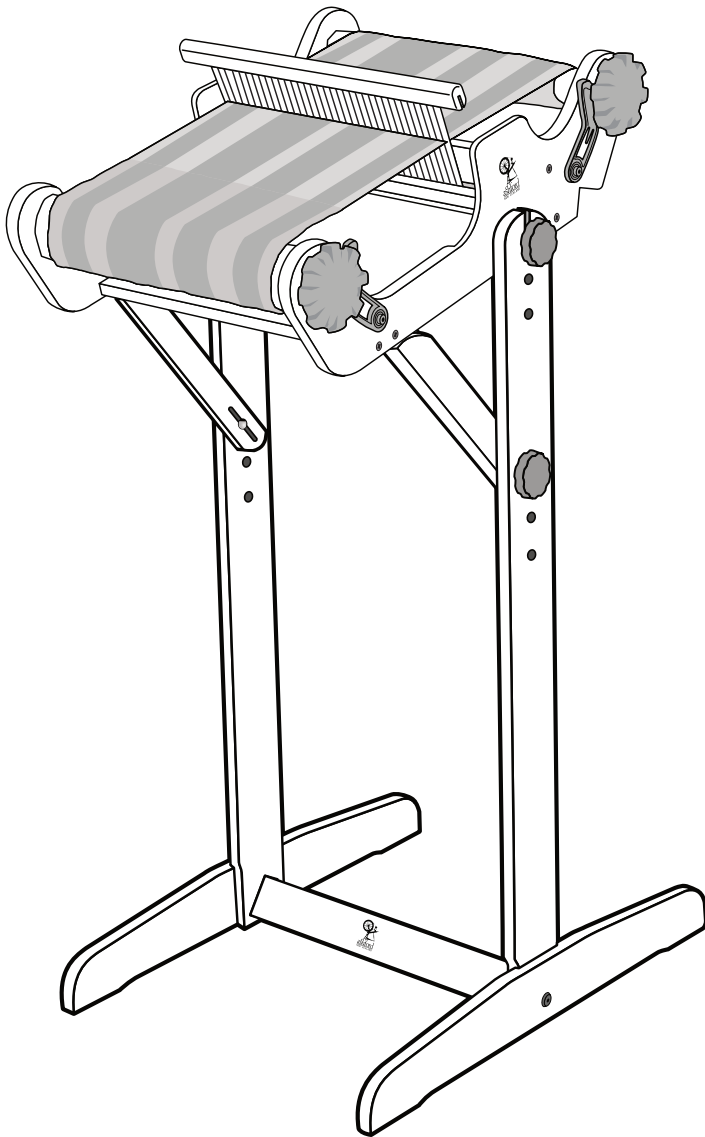
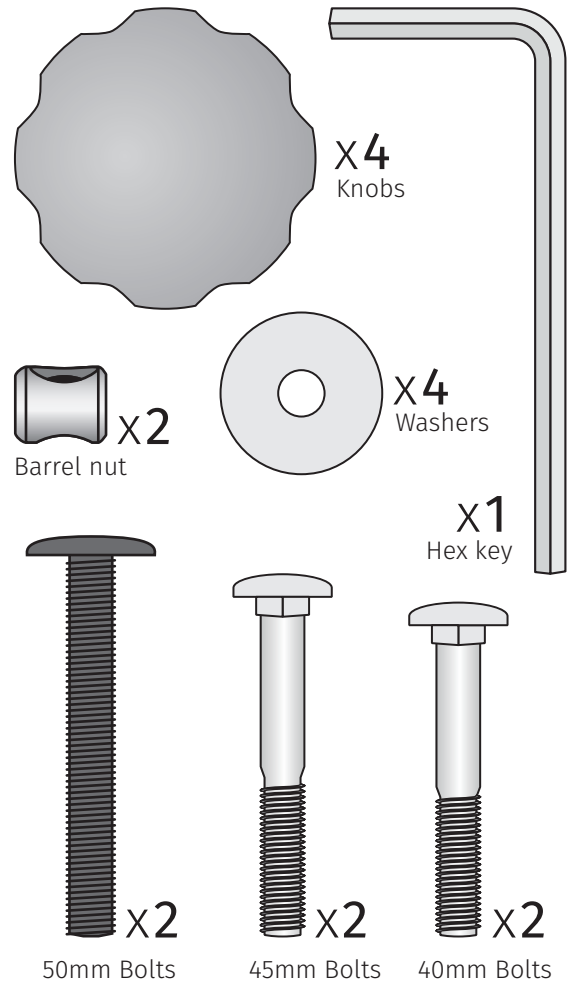


SAMPLE/IT LOOM STAND VARIABLE WIDTH

25cm (10"), 40cm (16")



Real Scale Hardware List



ASSEMBLY INSTRUCTIONS FOR ASHFORD SAMPLE/IT LOOM STAND

Before commencing, please read the instructions completely, identify the parts and note the assembly sequence. Use the sandpaper supplied to remove any sharp edges and corners.

We recommend that the wood surfaces be waxed or sealed before assembly. This protects the kiln dried wood from climatic changes and prevents it getting dirty or stained. For a silky smooth matt finish, use the Ashford Finishing Wax Polish to enhance the natural colours and character of this timber.

SLSV100226

Ashford Guarantee

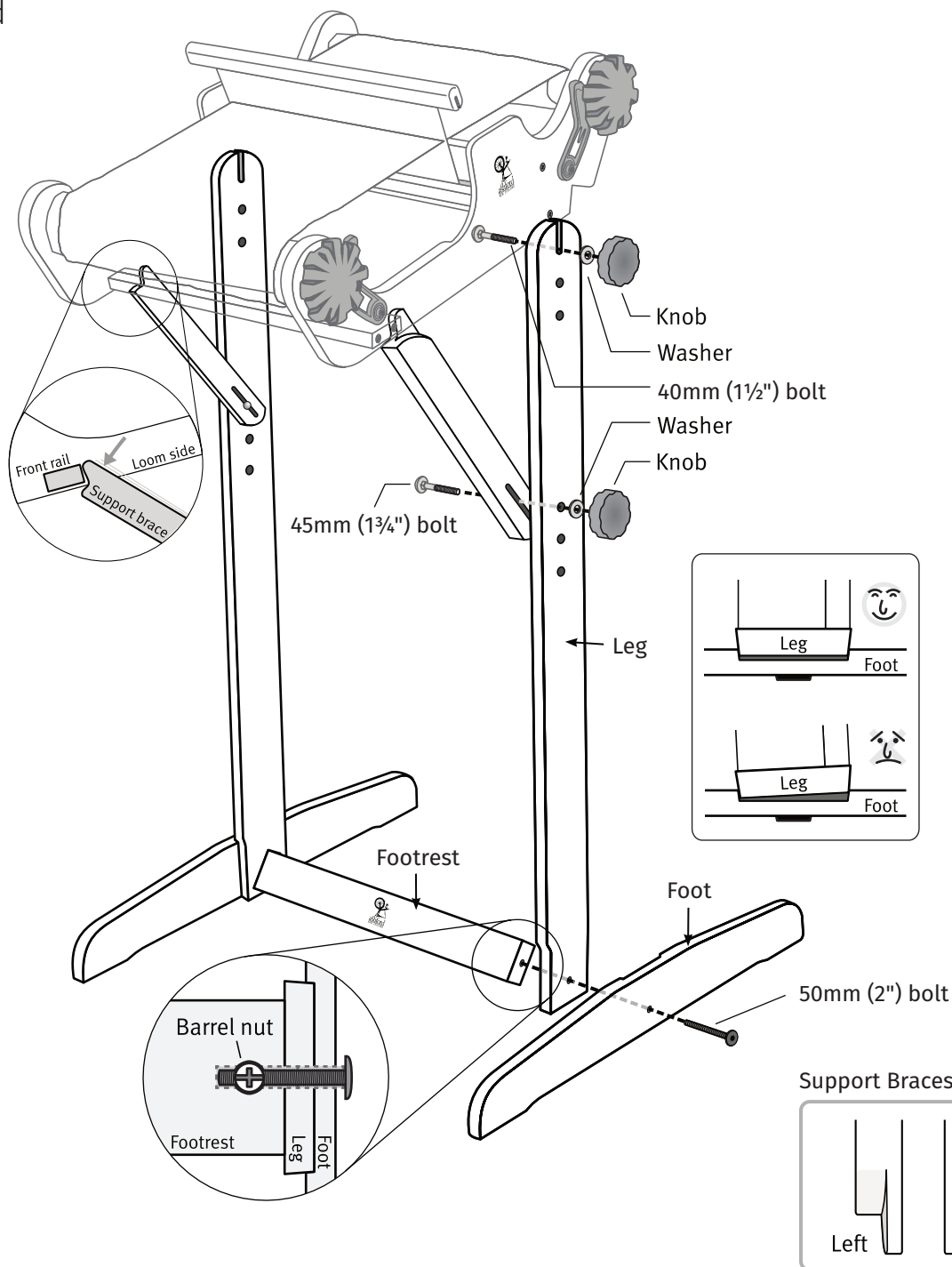
Thank you for purchasing this Ashford product. In the unlikely event of a fault in manufacture, please contact the dealer you purchased it from.

Ashford Blog

For inspirational articles, patterns and projects. Subscribe for free www.ashford.co.nz/blog

ASSEMBLY INSTRUCTIONS

Tools Required



1. If your loom is 25cm (10") wide, use the short footrest, if your loom is 40cm (16") wide, use the long footrest.
2. Attach the appropriate footrest to one leg and foot as illustrated with a 50mm (2") bolt and barrel nut and lightly tighten with the Hex key. Note the tapered leg fits snugly into the tapered rebate in the foot. Repeat for the other side. Store the spare rail for future use.
3. Insert the 40mm (1 1/2") round head bolts from the inside of your loom and tap the head of the bolts flush against the loom side. Then locate the loom and bolts into the slots in the legs and secure with washers and knobs.
4. Note the support braces are left and right. Check they are on the correct side and attach them to the legs with 45mm (1 3/4") bolts, washers and knobs.
5. Sit at the loom and adjust the angle of the loom and footrest to suit. Raise the support braces up under the front cross rail and tighten all knobs and bolts.
6. For a lower weaving position use the alternative holes in the sides for the loom and support braces.
7. Store the Hex key in a safe place and retighten the bolts if required.

Enjoy weaving on your Samplelt Loom!