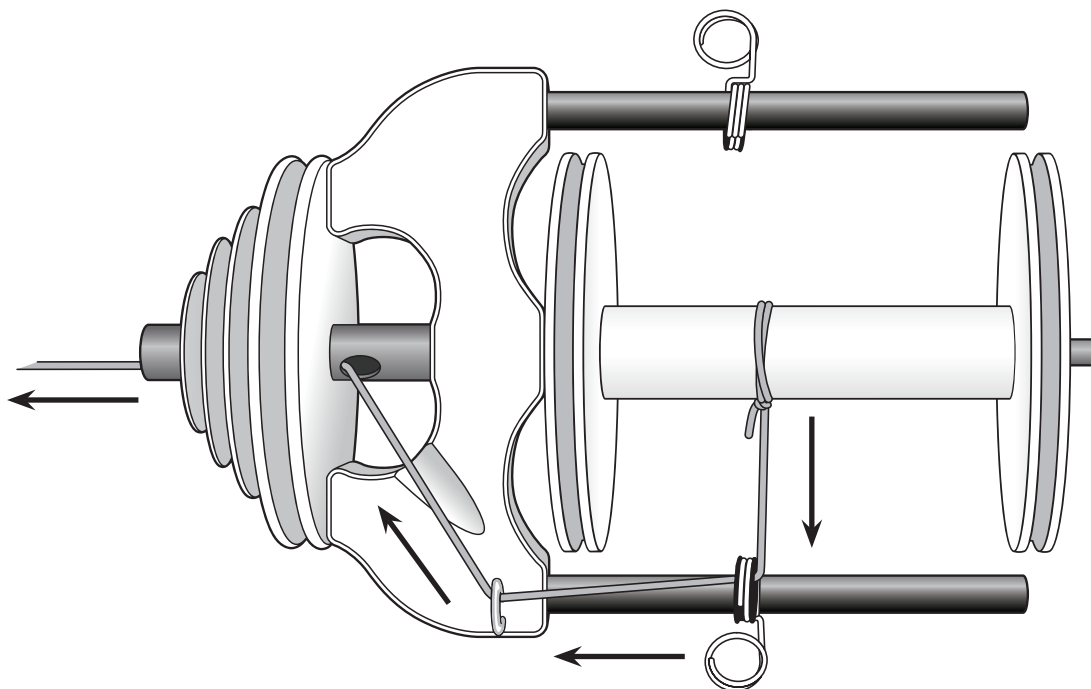


## SLIDING HOOK FLYER JUMBO

- Single Drive -

For Traditional and Traveller single drive spinning wheels



### FEATURES

- Flyer comes with one single drive jumbo bobbin.
- 15mm (5/8") orifice, plus 10mm (1/2") reducer bush.
- Fill your bobbins evenly with the squeeze and slide stainless steel yarn guides.
- Fibreglass arms result in a light and strong flyer.
- The 4 speed pulley allows a wide range of yarns to be spun.

### Ratios

Traditional	4.5	7.5	9.5	12.5:1
Traveller	3.5	6.0	7.5	10.0:1

### Wood finish

We recommend the wood be sealed with a wax or oil finish before use to protect and enhance it's natural beauty. Ashford finishing wax polish is ideal for this purpose.

1. Screw the 2 hooks into the pilot holes in the flyer base.
2. Squeeze and slide the stainless steel yarn guides onto the flyer arms.
3. Apply a drop of oil to the flyer shaft and slide the bobbin on. Ashford spinning wheel oil is ideal for this purpose.
4. To convert a standard spinning wheel to accept the Jumbo Flyer, remove the front flyer bearing and replace it with the enclosed Jumbo Flyer Bearing.
5. Locate the flyer between the flyer bearings, fit the drive and brake bands and apply a drop of oil to the flyer bearings.
6. Attach the threading hook to your spinning wheel with the cotton tape.
7. Tie a leader yarn approx. 1.5m / 5' to the bobbin centre and feed it through the yarn guide, around the flyer hook and through the orifice.
8. As your bobbin fills, squeeze and slide the yarn guides to fill your bobbin evenly.

*Happy Spinning!*

SHFJ130224

### Ashford Guarantee

Thank you for purchasing this Ashford product. In the unlikely event of a fault in manufacture, please contact the dealer you purchased it from.

### Ashford Blog

For inspirational articles, patterns and projects. Subscribe for free [www.ashford.co.nz/blog](http://www.ashford.co.nz/blog)