

RIGID HEDDLE LOOM STAND

For 120cm (48") Looms



ASSEMBLY INSTRUCTIONS FOR ASHFORD RIGID HEDDLE LOOM STAND

Before commencing, please read the instructions completely, identify the parts and note the assembly sequence. Use the sandpaper supplied to remove any sharp edges and corners.

We recommend that the wood surfaces be waxed or sealed before assembly. This protects the kiln dried wood from climatic changes and prevents it getting dirty or stained. For a silky smooth matt finish, use Ashford Finishing Wax Polish to enhance the natural colours and character of this timber.

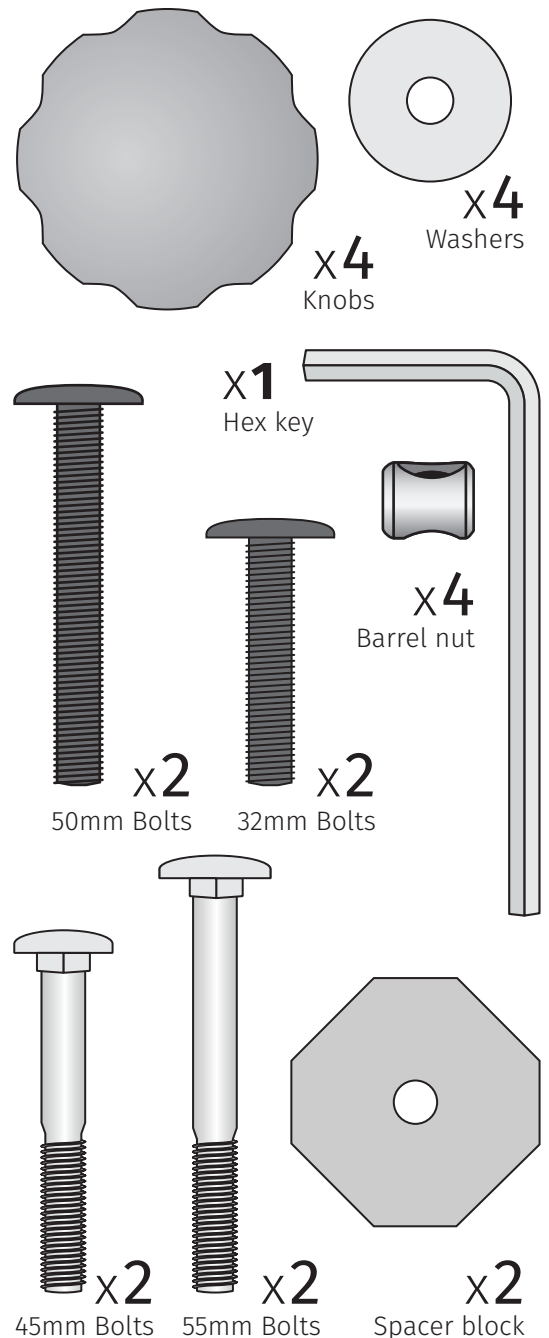
Tools Required



Included

RHLS12-220525

Real Scale Hardware List



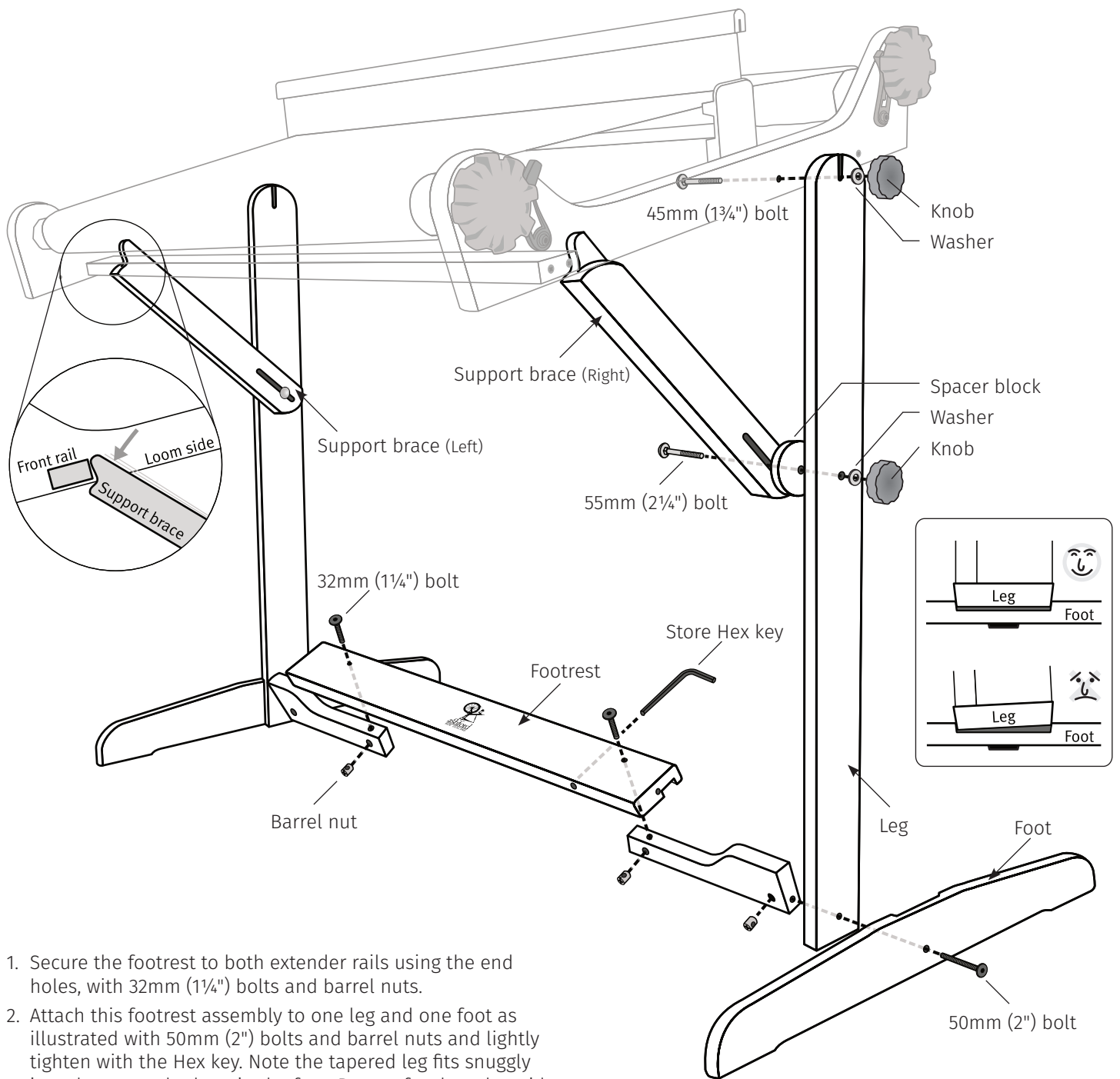
Ashford Guarantee

Thank you for purchasing this Ashford product. In the unlikely event of a fault in manufacture, please contact the dealer you purchased it from.

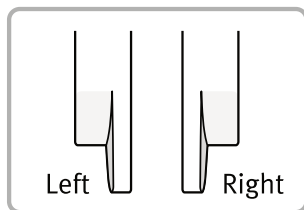
Ashford Blog

For inspirational articles, patterns and projects. Subscribe for free www.ashford.co.nz/blog

ASSEMBLY INSTRUCTIONS



1. Secure the footrest to both extender rails using the end holes, with 32mm (1 1/4") bolts and barrel nuts.
2. Attach this footrest assembly to one leg and one foot as illustrated with 50mm (2") bolts and barrel nuts and lightly tighten with the Hex key. Note the tapered leg fits snugly into the tapered rebate in the foot. Repeat for the other side.
3. Insert 45mm (1 3/4") bolts from the inside of your loom and tap the head of the bolt flush against the loom side. Then locate the loom and bolts into the slots in the legs and secure with washers and knobs.
4. Note the support braces are left and right. Check they are on the correct side and then attach them to the legs with 55mm (2 1/4") bolts, spacer blocks, washers and knobs.



5. Sit at the loom and adjust the angle of the loom and footrest to suit. Lift the support braces up under the front cross rail and tighten all knobs and bolts.
 6. Store the Hex key in the hole in the footrest so you can retighten the bolts if required.
 7. The Freedom Roller can be attached to back of the loom to use when weaving thick rugs or for long warps.
- Enjoy weaving on your Rigid heddle Loom!