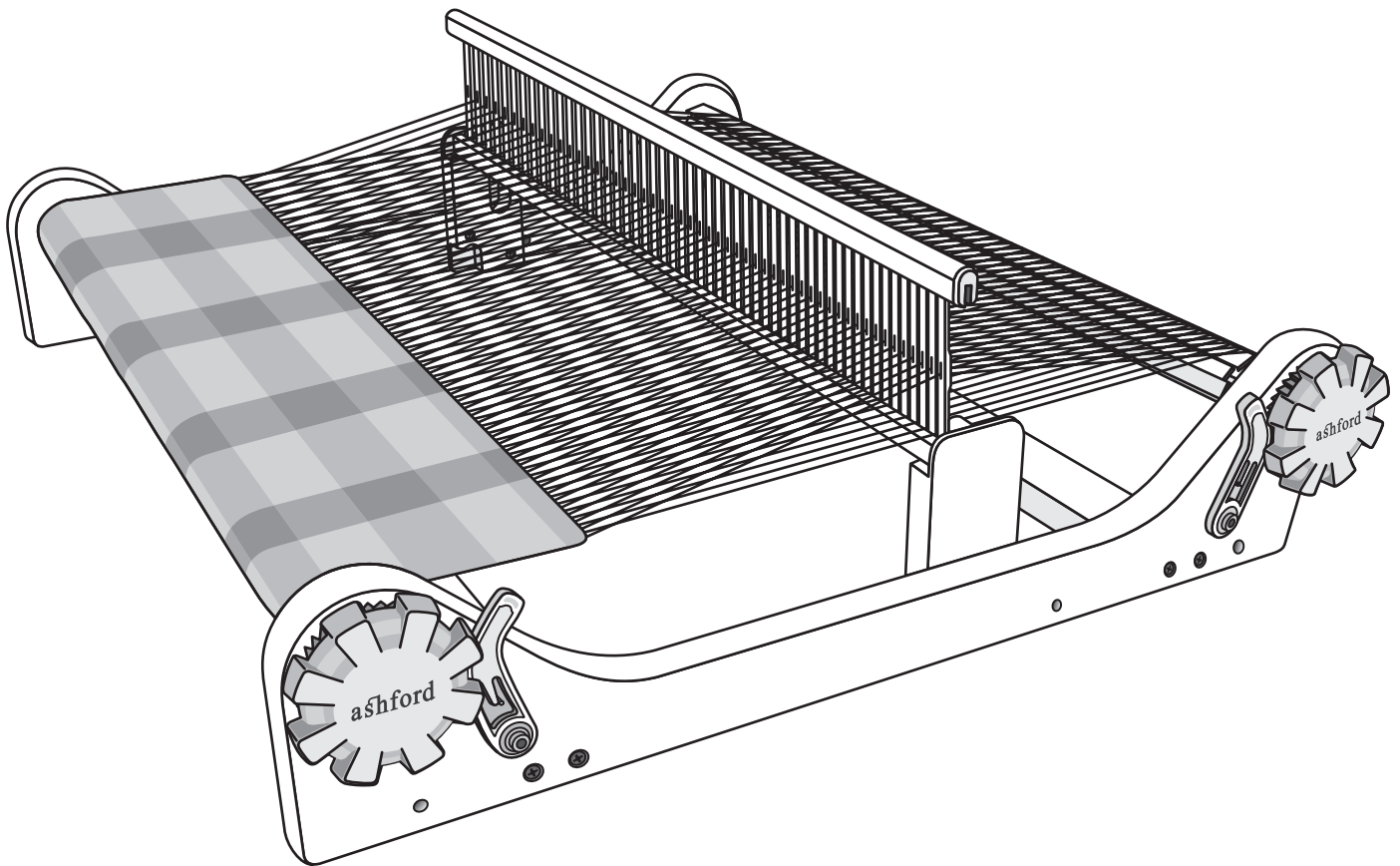


ASHFORD RIGID HEDDLE LOOM

40cm (16"), 60cm (24"), 80cm (32"), 120cm (48")

With double heddle support blocks and built in warping frame



RH070524

Ashford Guarantee

Thank you for purchasing this Ashford product. In the unlikely event of a fault in manufacture, please contact the dealer you purchased it from.

Ashford Blog

For inspirational articles, patterns and projects. Subscribe for free www.ashford.co.nz/blog

ASSEMBLY INSTRUCTIONS FOR THE ASHFORD RIGID HEDDLE LOOM

Before commencing, please read the instructions completely, identify the parts and note the assembly sequence. Use the sandpaper supplied to remove any sharp edges and corners.

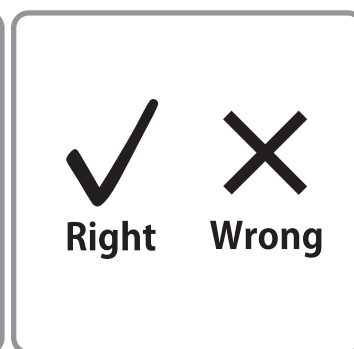
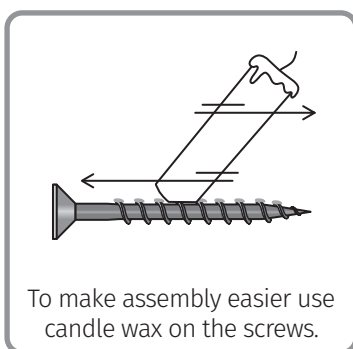
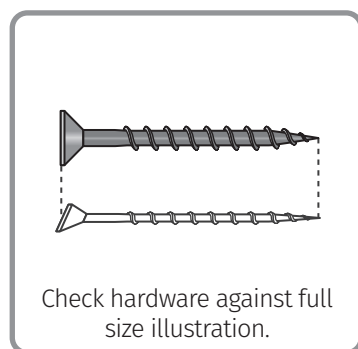
We recommend that the wood surfaces be waxed or sealed before assembly. This protects the kiln dried wood from climatic changes and prevents it getting dirty or stained. For a silky smooth matt finish, use the Ashford Wax Polish to enhance the natural colours and character of this timber.

Tools Required

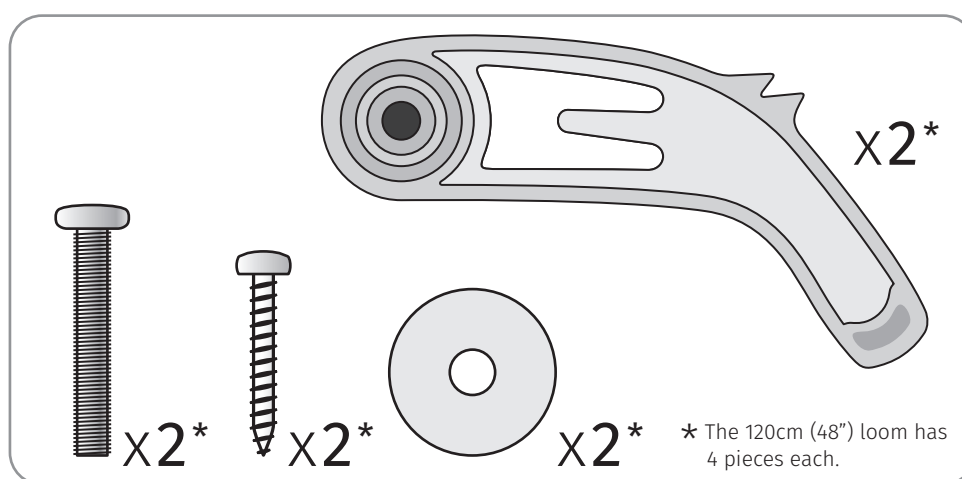
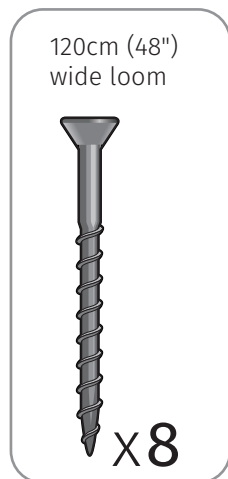


IMPORTANT

BEFORE YOU BEGIN, please remove the small wooden blocks on the clicker pins. These are for packaging protection only. To make assembly easier rub candle wax on the screws.



Real Scale Hardware List



More Information



How-to videos on You Tube
Watch our how-to videos on You Tube.
@AshfordNZ



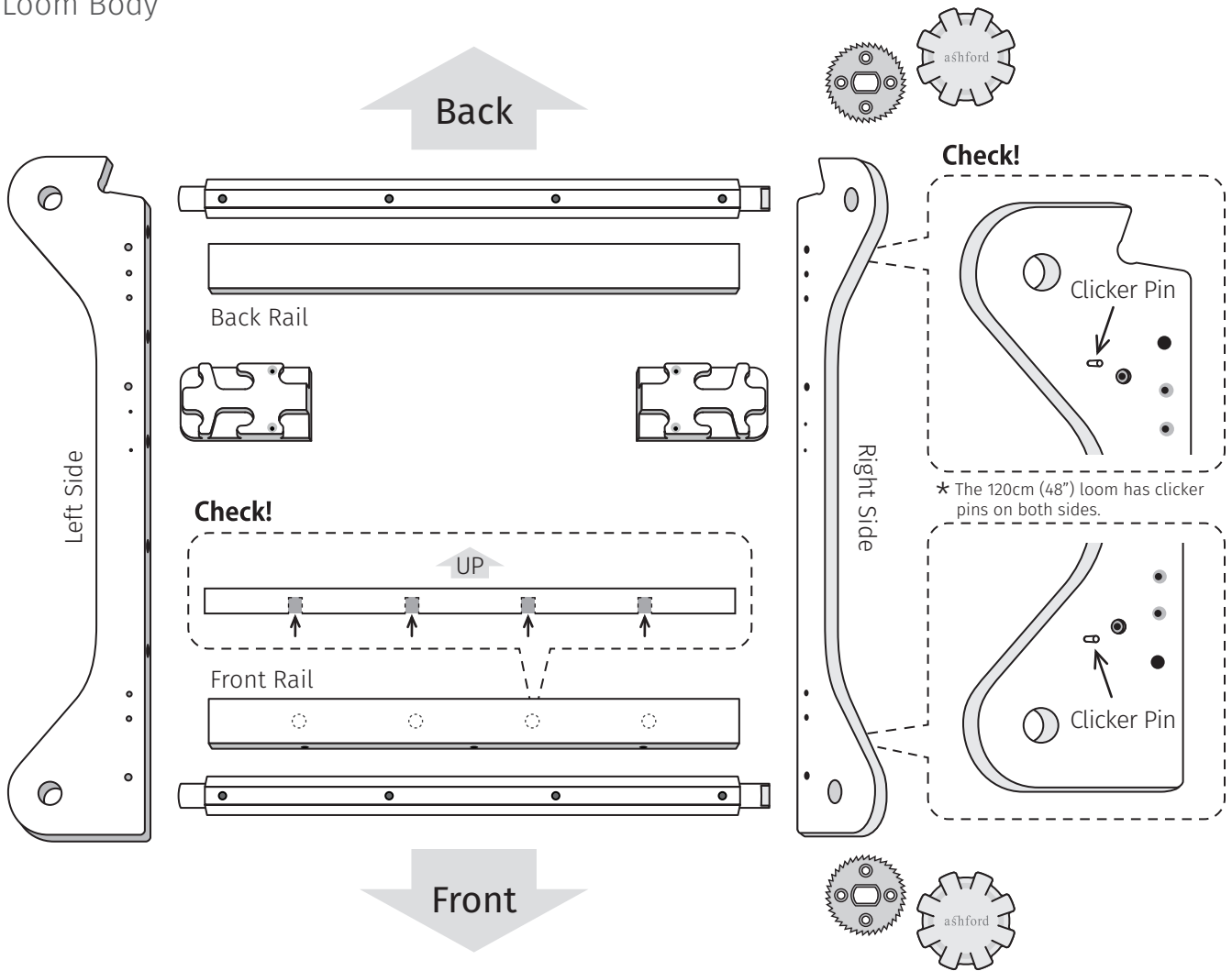
Blog
For inspirational articles, patterns and projects. Subscribe for free to the Ashford Blog www.ashford.co.nz/blog



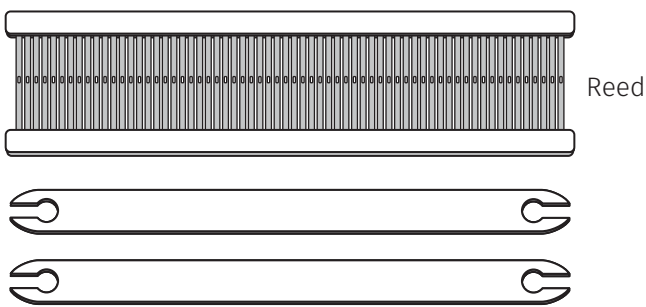
Facebook
Join us on facebook [ashford.wheels.ooms](https://www.facebook.com/ashford.wheels.ooms)

Parts List

Loom Body

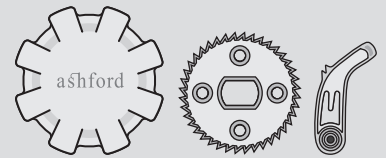


Weaving Parts

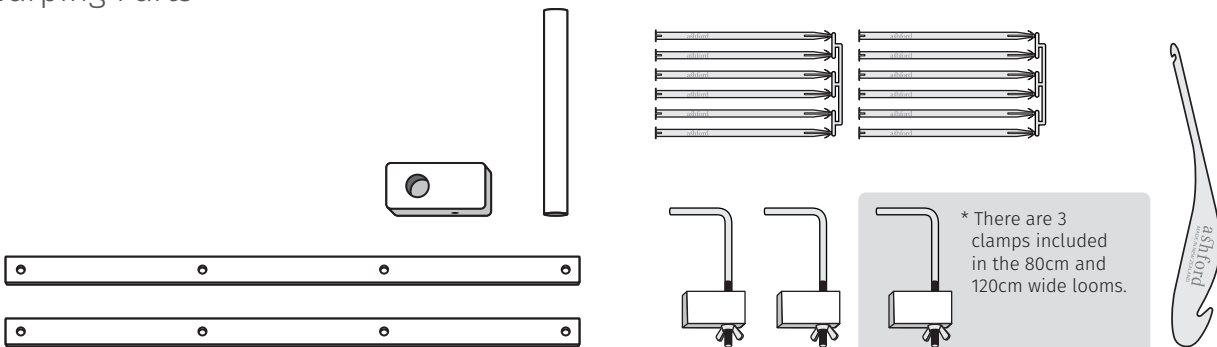


120cm (48") wide loom

The 120cm (48") loom has clicker pins, pawls, cogs and handles fitted to both sides of the loom. This helps equalize the tension across the width of the loom.

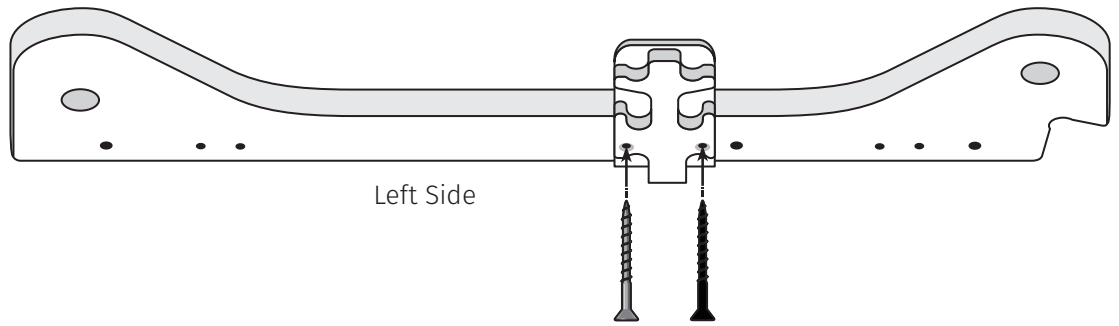


Warping Parts

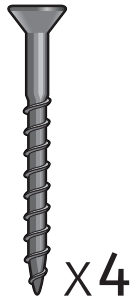




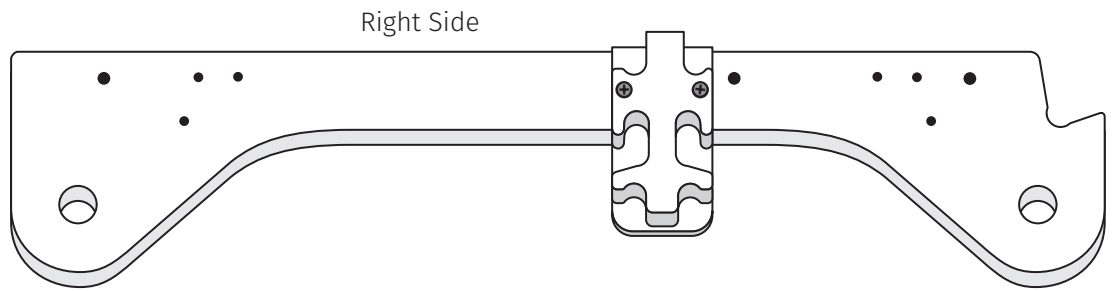
Attach the reed support blocks to the sides with 38mm (1½") screws.



Left Side



X4

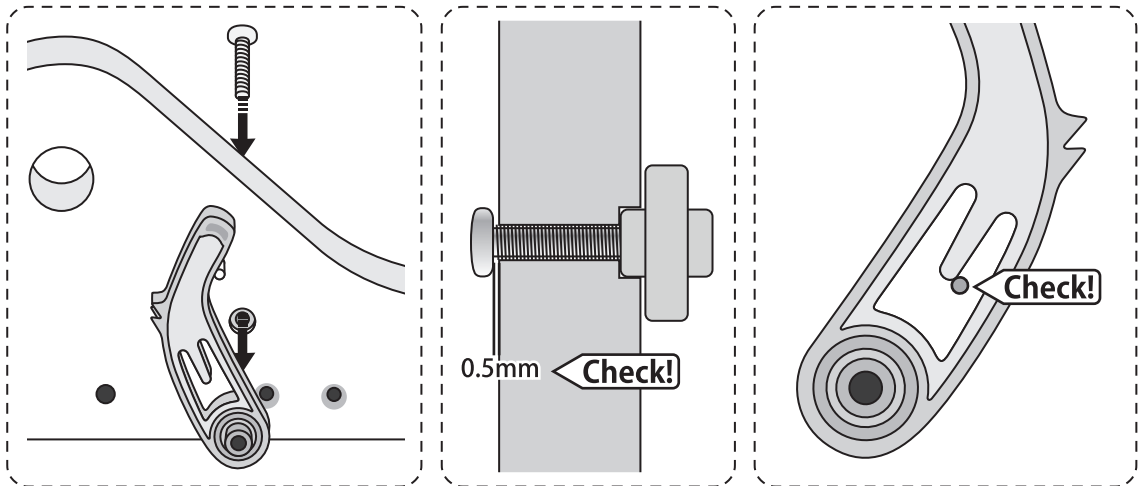


Right Side

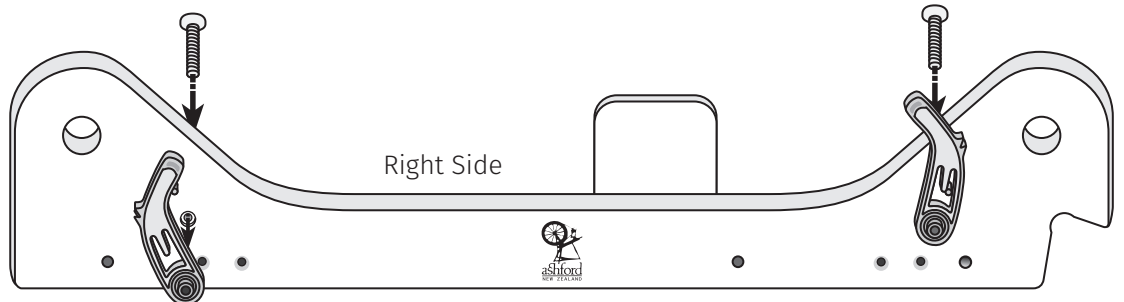


Attach the 2 pawls to the loom side from the inside with 30mm (1¼") bolts. NOTE the "clicker pin" fits into the gap in the pawl. Take care to ensure the "clicker pin" does not damage your table. Rub a little candle wax on the thread to make assembly easier. Leave 0.5mm (1/32") gap under the head of the bolt. DON'T over tighten. The pawl should move freely and "Click" as it snaps past the pin.

Check!



X2



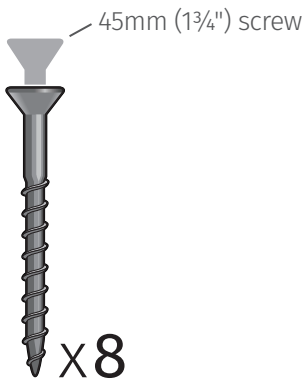
Right Side

120cm (48") wide loom: The 120cm (48") loom has clicker pins, pawls, cogs and handles fitted to both sides of the loom. This helps equalize the tension across the width of the loom. Please follow Steps 2, 4 and 5 when assembling this loom.

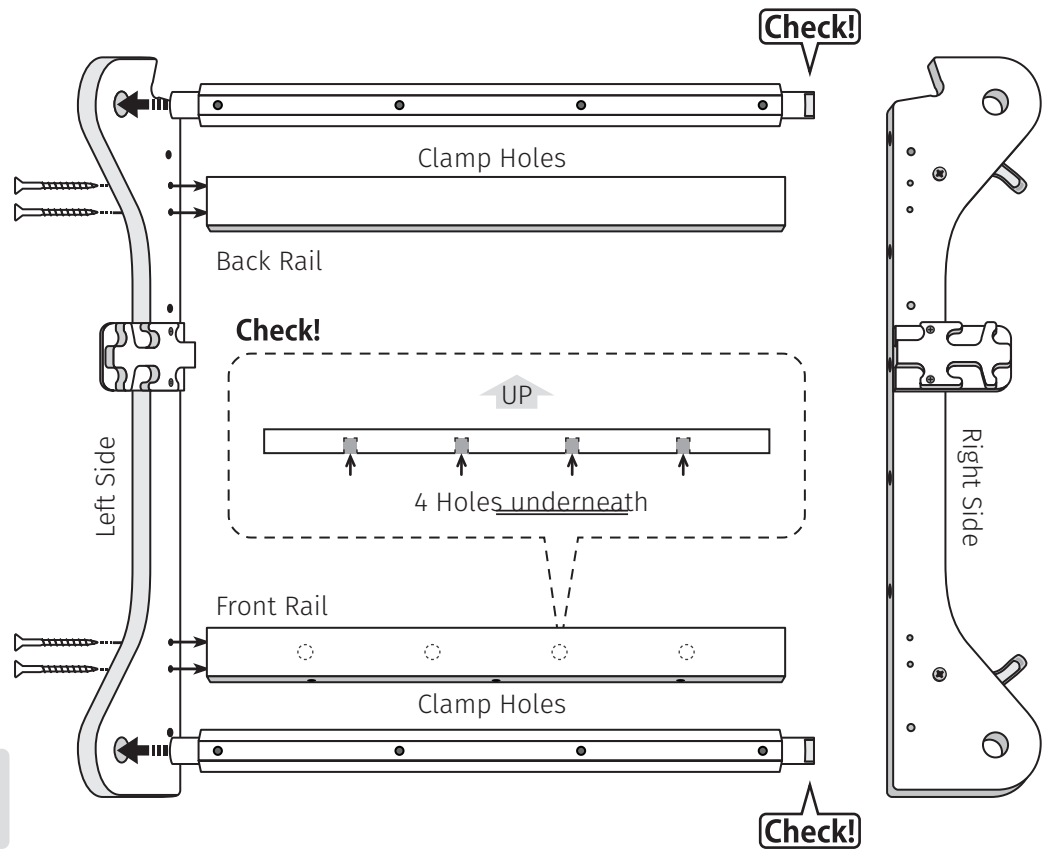


Attach the front rail (The front rail has 4 holes underneath for warping pegs) and back rail to the left side with 38mm (1½") screws. The clamp holes on the edge of the front rail should face to the front of the loom, the clamp holes on the edge of the back rail should face towards the back. Rub candle wax over both ends of the front and back rollers, then insert the short end of the rollers into the holes in the left side.

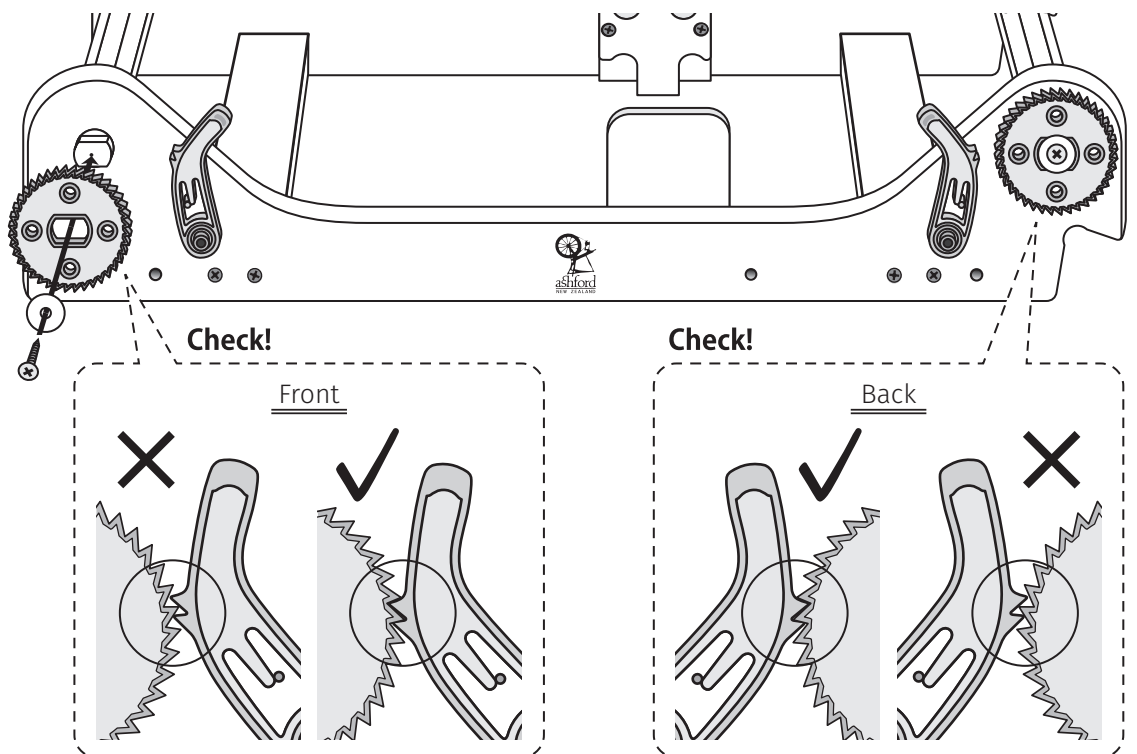
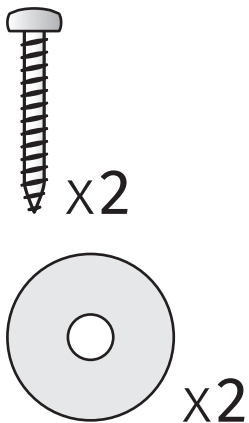
Insert the long ends of the rollers into the right side and attach to the front and back rails with 38mm (1½") screws.



120cm (48") wide loom:
Use the 45mm (1¾") screws.



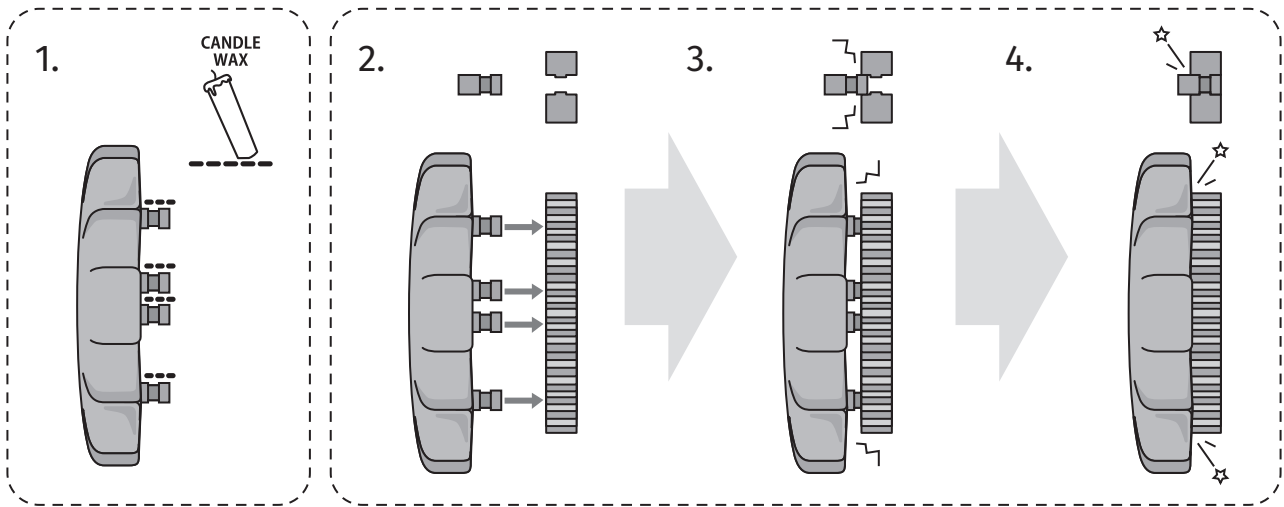
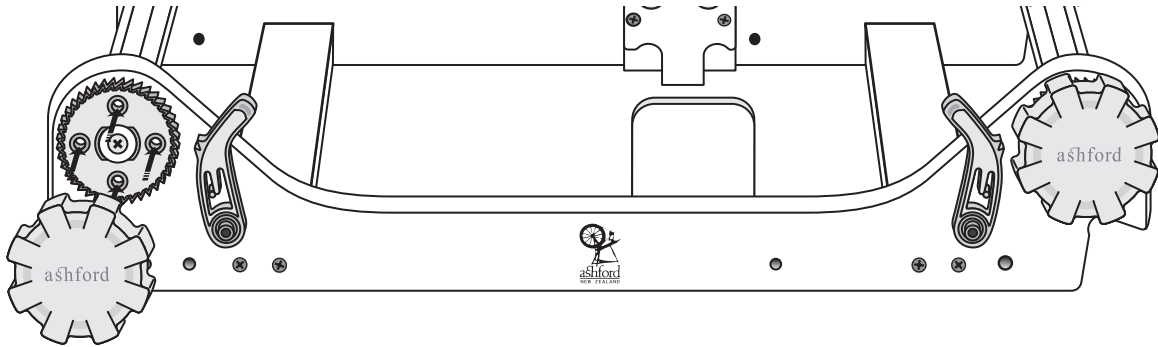
Place the cogs onto the ends of the rollers. **Check the teeth engage the pawls.** THEN secure with washers and 25mm (1") screws.



5



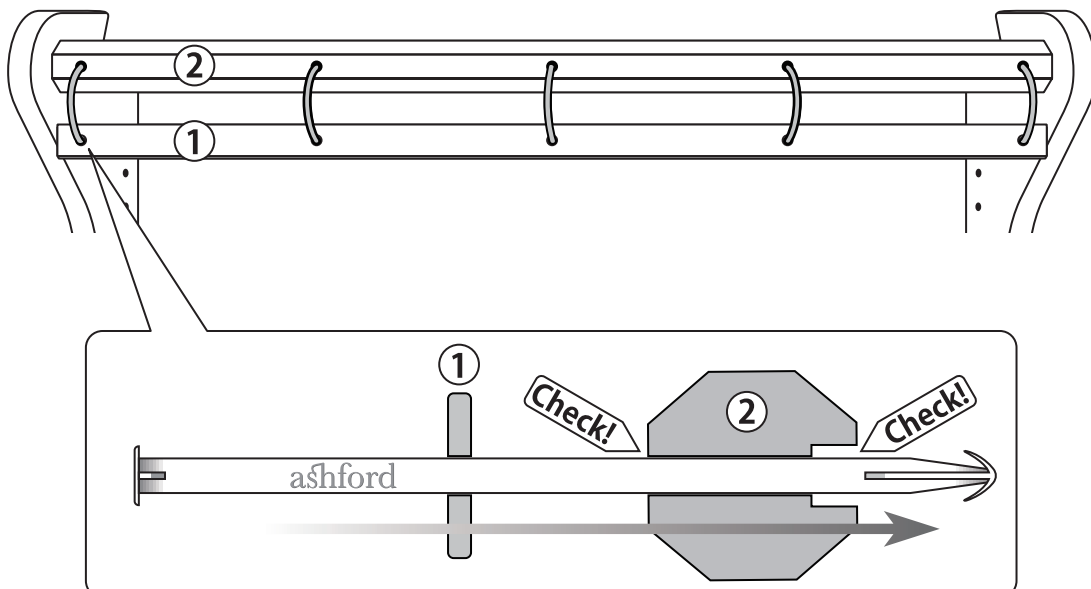
Rub candle wax on to the 4 pins on the handles. Then locate the 4 pins on the handles into the 4 holes in the cogs. Then give the handles a sharp hit with your fist or a soft hammer so they snap down tight onto the cogs.



When weaving - to release the warp tension to advance the warp, turn the handle slightly and then lift the pawl out of the teeth.

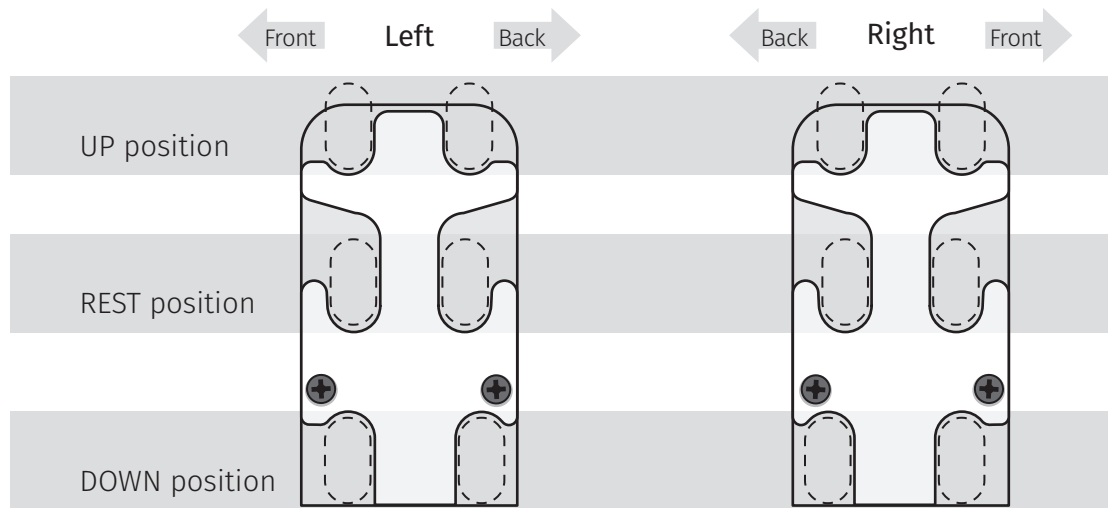
6

Connect the warp sticks to the roller with the warp stick ties. First push the arrow head through the warp stick. Then push the arrow head into the small hole in the roller and out the large hole as illustrated.



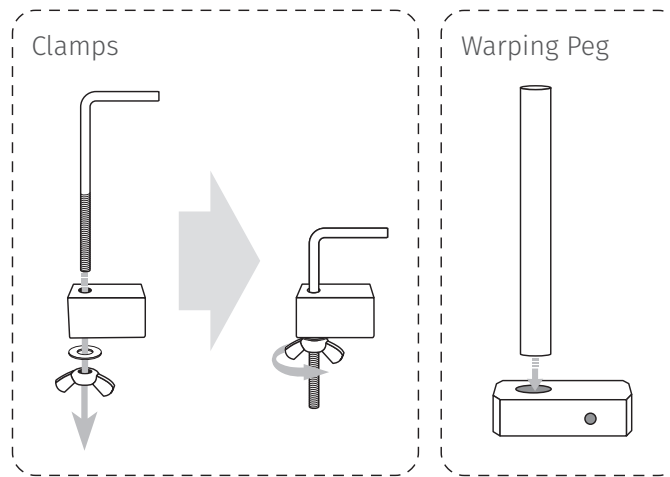
7

Locate the reed into the rest position of the reed support blocks.



8

Assemble the warping peg and clamps.



Now follow the easy step-by-step warping instructions in the “Learn to Weave on the Rigid Heddle Loom” booklet.

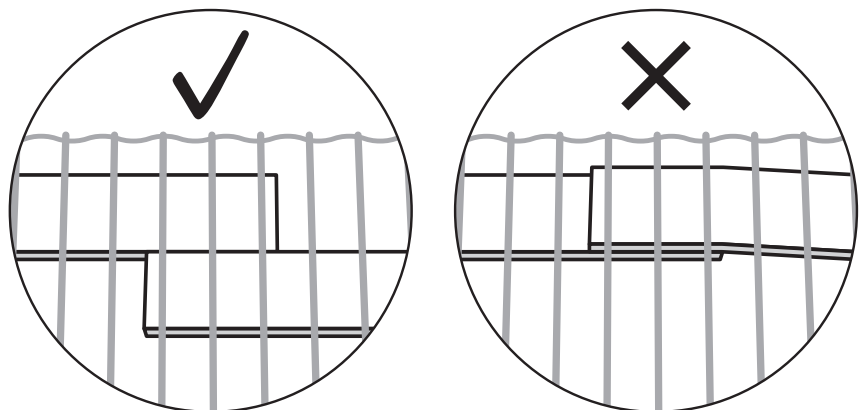
If you want to make warps the traditional way, we have pre-drilled 14 holes in the underside of your loom. To use them simply order a set of warping pegs from your local Ashford Dealer.

Loom size
 40cm / 16"
 60cm / 24"
 80cm / 32"
 120cm / 48"

Approx. warp length when using the warping pegs
 4.70m / 15'
 6.70m / 22'
 8.70m / 28'
 12.70m / 41'

Additional information for your RIGID HEDDLE LOOM 120cm (48ins)

You have received 2 bundles of cardboard warpsticks with your loom. These are for separating the warp - see step 17 in the “Learn to Weave on the Rigid Heddle” instruction booklet. Please place your cardboard warpsticks into the warp as you are winding on as illustrated.



Happy Weaving!

RIGID HEDDLE ACCESSORIES

Rigid Heddle Loom Stand

A sturdy stand with side supports, a comfortable foot rest and adjustable weaving angle. A freedom roller can be attached at the back.

Adjustable width to fit 40cm, 60cm and 80cm (16", 24" and 32") looms. A separate stand for the 120cm (48") loom available.



Table Stand



Loom Stand

Table Stand

Weave tapestries or other hand-manipulated projects in an upright position. Simple to attach. Adjust the angle to suit. Fits standard rigid heddle looms only.

Freedom Roller

This additional roller allows you to weave longer lengths, use thicker yarns, or weave multiple projects. Weave double width projects with ease, rugs and super thick yarns. Kit includes roller with clicker pawl, warp stick and warp stick ties.

For rigid heddle looms 40cm, 60cm, 80cm, 120cm (16", 24", 32", 48")



Freedom Roller

Weaving Needles

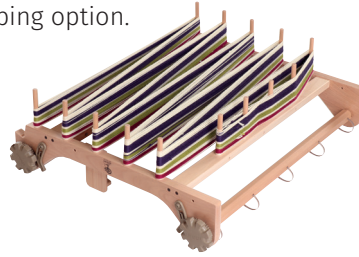
A convenient set of 3 wooden needles. Weave hand-manipulated techniques quickly and easily. Large eye for easy threading. Weave fabrics, yarns, fibres and more.

12cm, 17cm, 22cm
(4¾", 6½", 8½")



Warping Pegs

For indirect warping option.



Wavy Shuttles
3 sizes



Pickup Sticks
8 sizes



Stick Shuttles
7 sizes

Tapestry Beater

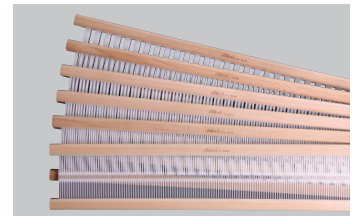
Perfect for tapestry weaving, beating rya knots, loop pile and more. A must-have accessory for your tapestry and rigid heddle looms. Lacquered.



Reeds

Additional reeds are available for weaving fine to thick or textured yarns. Available for all rigid heddle, samplelt and knitters looms. Made from strong, durable nylon.

Available in 2.5, 5, 7.5, 10, 12.5 or 15 dents per inch (dpi)



Vari Dent Reed

Warp thick, thin and anything in-between yarns. Available for all rigid heddle, samplelt and knitters looms.

Kit includes a selection of 5 and 10cm (2 and 4") sections of 2.5, 5, 7.5, 10, 12.5 and 15 dents per inch (dpi)



Books



Ashford Book of Rigid Heddle Weaving By Rowena Hart

All you ever needed to know about rigid heddle weaving. Easy warping, weaving techniques and projects including brooks bouquet, bronson lace and weaving with the second heddle kit. Create beautiful garments and homeware. 123 pages



Rigid Heddle Weaving, Basics and Beyond

By Deborah Jarchow
Explore colour, design, and texture as you follow Deborah's clear, step-by-step, instructions. From plain weave to inlay and hand-manipulated lace this book opens the whole world of creative weaving. 201 pages