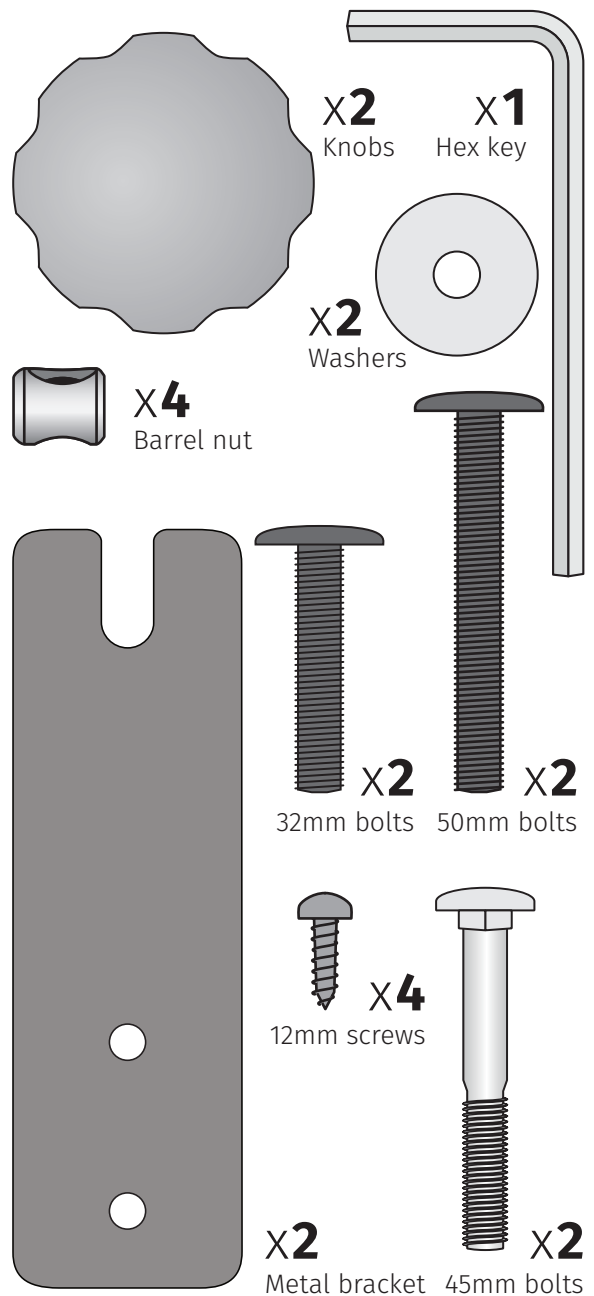


KNITTERS LOOM STAND VARIABLE WIDTH

30cm (12"), 50cm (20"), 70cm (28")



Real Scale Hardware List



ASSEMBLY INSTRUCTIONS FOR ASHFORD KNITTERS LOOM STAND

Before commencing, please read the instructions completely, identify the parts and note the assembly sequence.

Your Knitters Loom Stand has been lacquered. If desired, an application of Ashford Finishing Wax Polish may further enhance its appearance.

Tools Required



Included

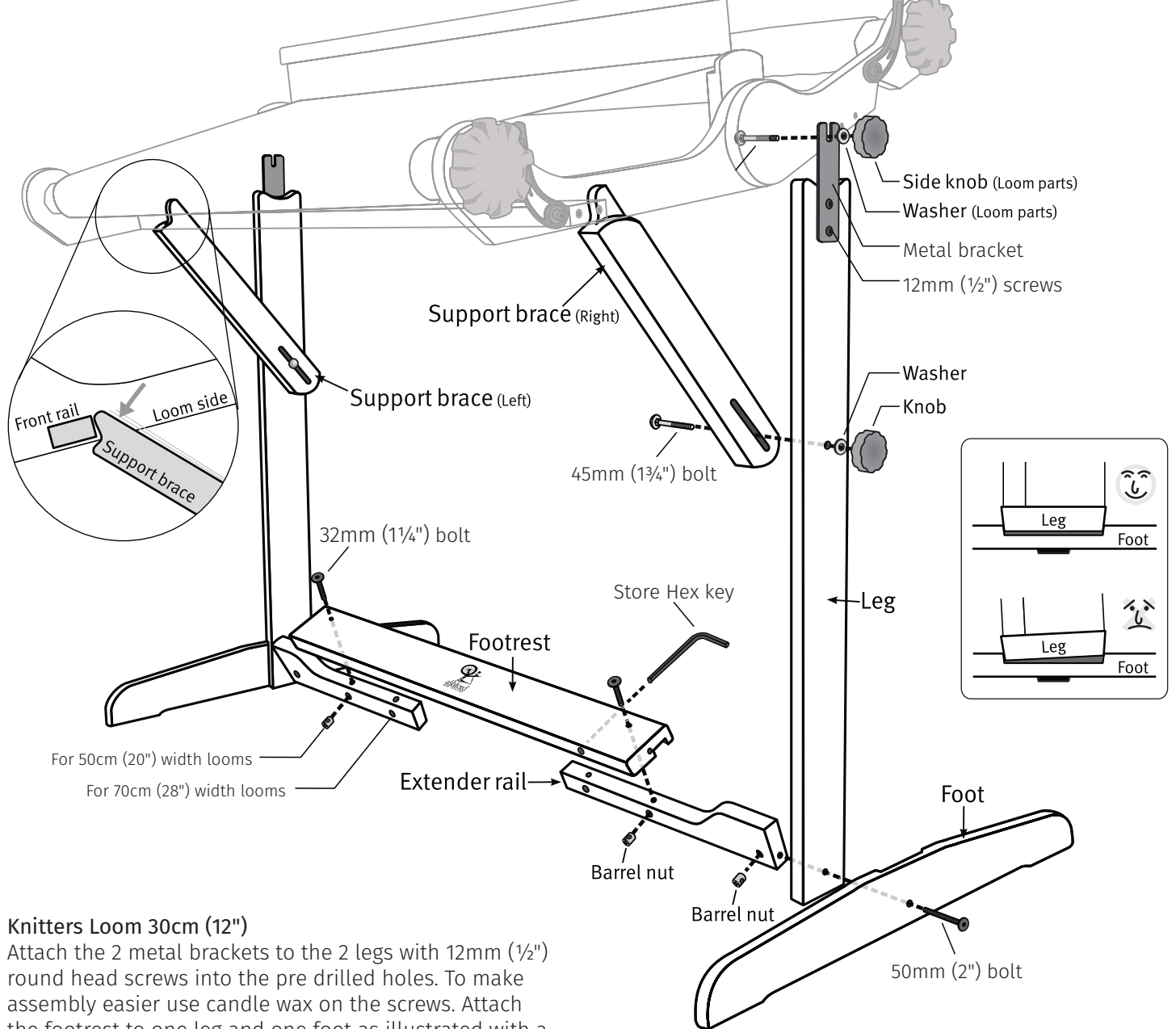
KLSV100226

Ashford Guarantee

Thank you for purchasing this Ashford product. In the unlikely event of a fault in manufacture, please contact the dealer you purchased it from.

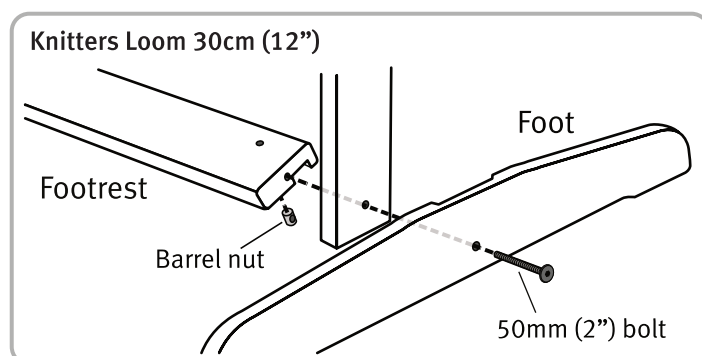
Ashford Blog

For inspirational articles, patterns and projects. Subscribe for free www.ashford.co.nz/blog



Knitters Loom 30cm (12")

Attach the 2 metal brackets to the 2 legs with 12mm (1/2") round head screws into the pre drilled holes. To make assembly easier use candle wax on the screws. Attach the footrest to one leg and one foot as illustrated with a 50mm (2") bolt and barrel nut and lightly tighten with the Hex key. Note the tapered leg fits snugly into the tapered rebate in the foot. Repeat for the other side. Store the 2 extender rails and 32mm (1 1/4") bolts and barrel nuts for future use with either a 50cm (20") or 70cm (28") Knitters Loom. Proceed to Step 2.



Knitters Loom 50cm (20") or 70cm (28")

1. Secure the footrest to both extender rails using the appropriate holes with 32mm (1 1/4") bolts and barrel nuts.

2. Attach this footrest assembly to one leg and one foot as illustrated with 50mm (2") bolts and barrel nuts and lightly tighten with the Hex key. Note the tapered leg fits snugly into the tapered rebate in the foot. Repeat for the other side.
 3. Loosen the side knobs on your knitters loom. Then locate the loom and bolts into the slots in the metal brackets keeping the washers between the bracket and the knob.
 4. Note the support braces are left and right. Check they are on the correct side and then attach them to the legs with 45mm (1 3/4") bolts washers and knobs.
 5. Sit at the loom and adjust the angle of the loom and footrest to suit. Raise the support braces under the front cross rail and tighten all knobs and bolts.
 6. Store the Hex key in the hole in the footrest so you can retighten the bolts later if required.
- Enjoy weaving on your Knitters Loom!

