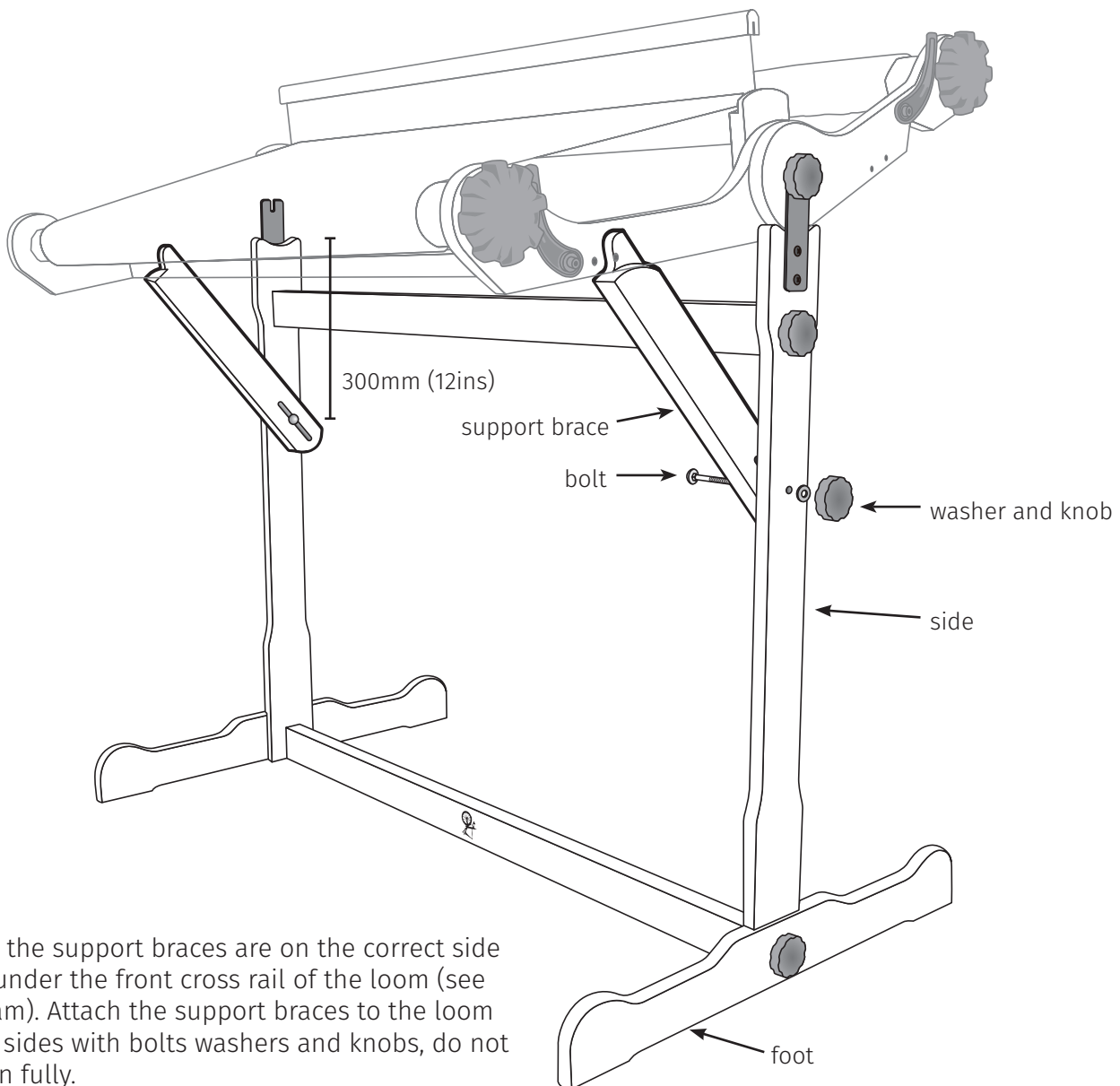


KNITTERS LOOM STAND SUPPORT BRACE KIT 30cm (12") and 50cm (20")



Check the support braces are on the correct side to fit under the front cross rail of the loom (see diagram). Attach the support braces to the loom stand sides with bolts washers and knobs, do not tighten fully.

Adjust the angle of the loom to suit. Lift the support braces up and under the front cross rail and tighten the knobs to secure.

If your loom stand was manufactured before 2013 you may need to drill holes in the sides. Drill a 6mm (1/4") hole in the centre of the side 300mm (12") down from the top of the leg.

KLSSB260724