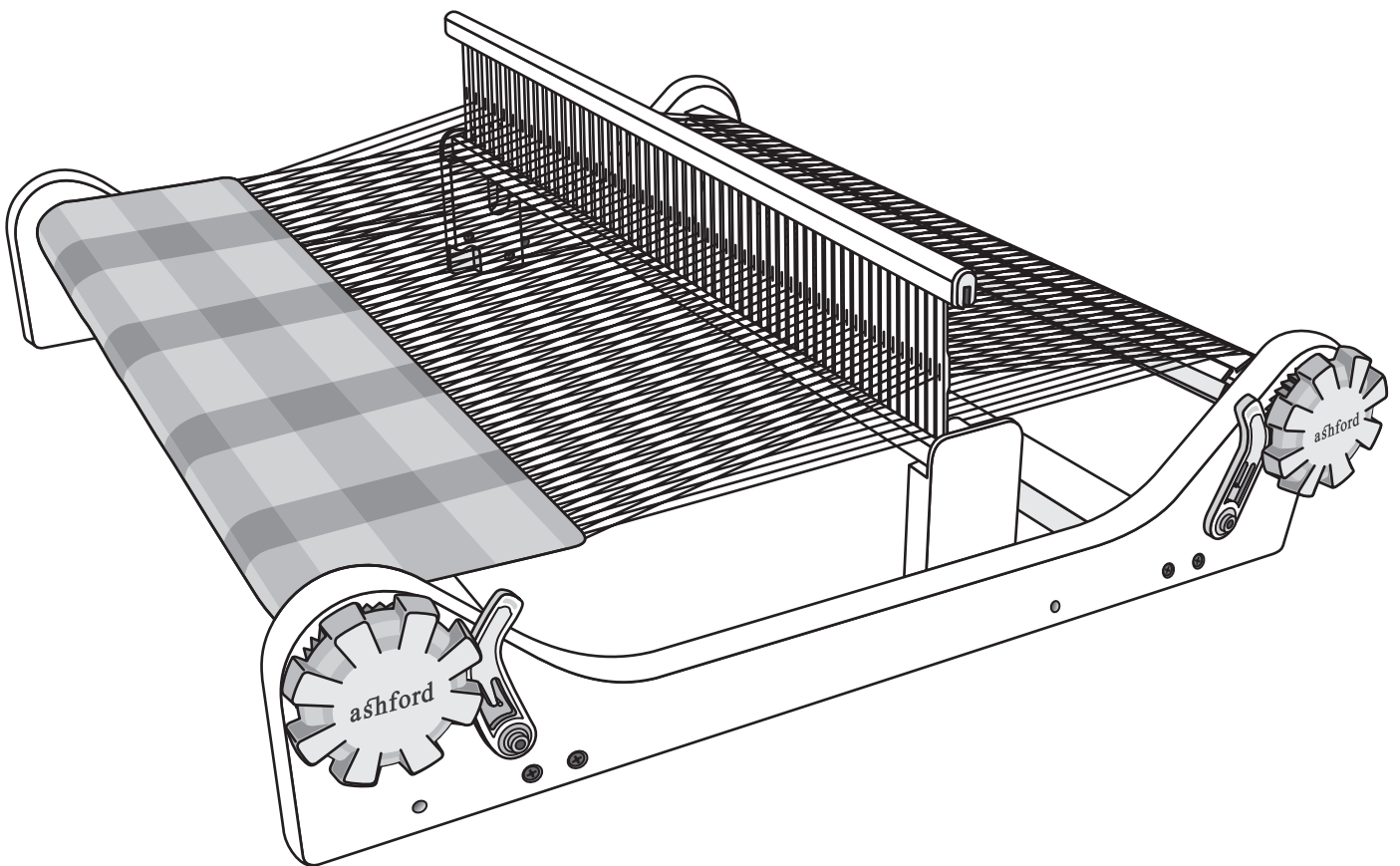


# ASHFORD RIGID HEDDLE LOOM

40cm (16"), 60cm (24"), 80cm (32"), 120cm (48")



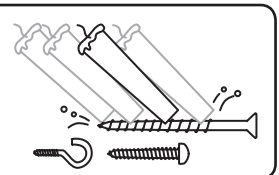
RH030913V8

# The Ashford Rigid Heddle Loom assembly instructions

Tools required

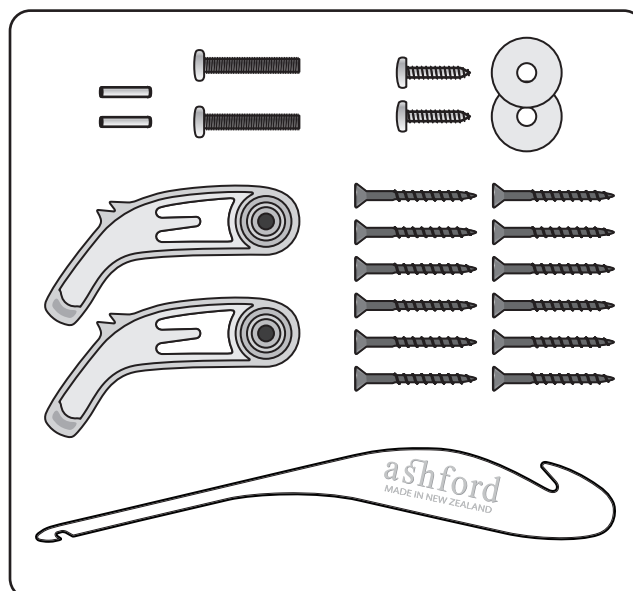
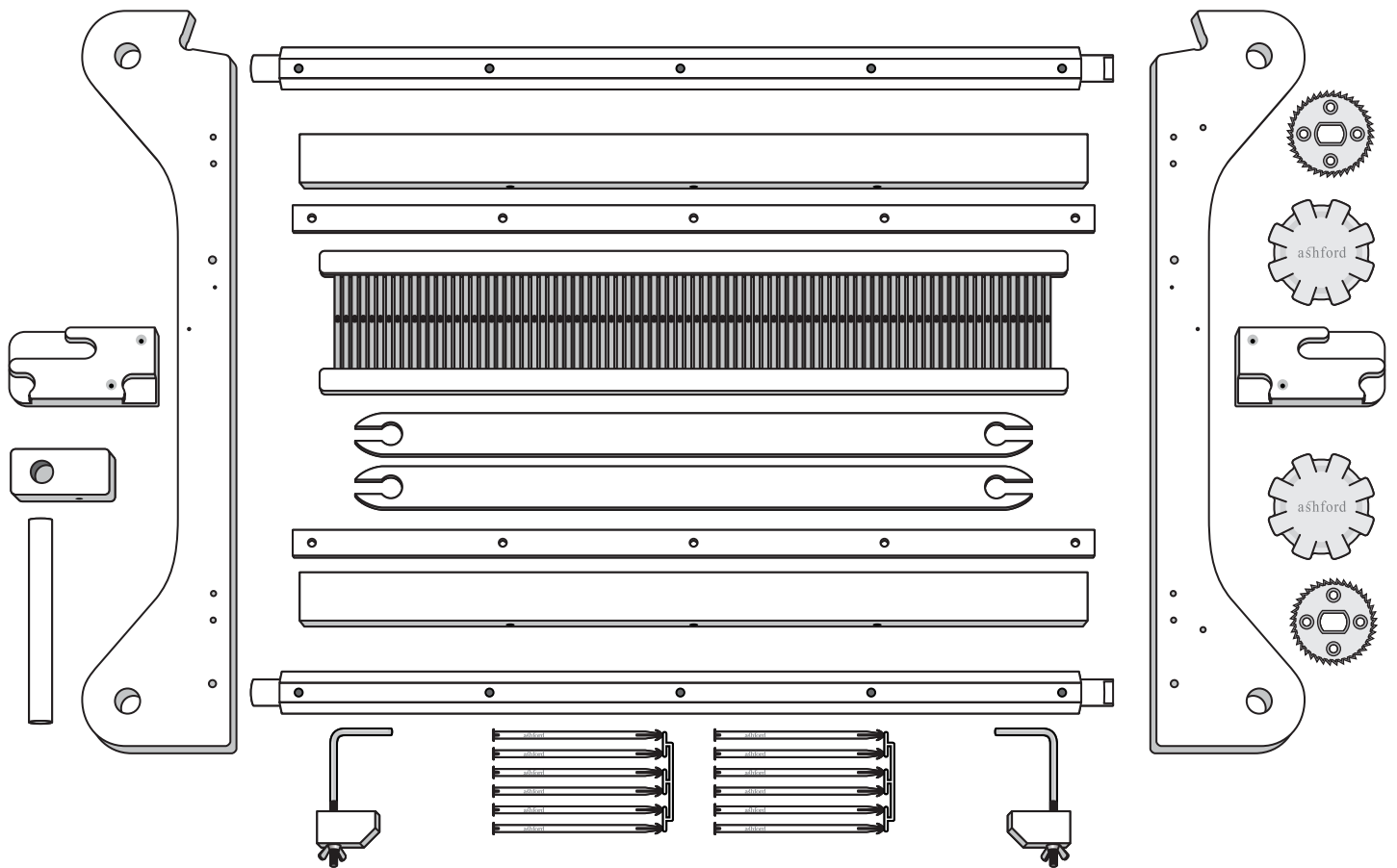


To make assembly easier use candle wax on the screws and hooks.

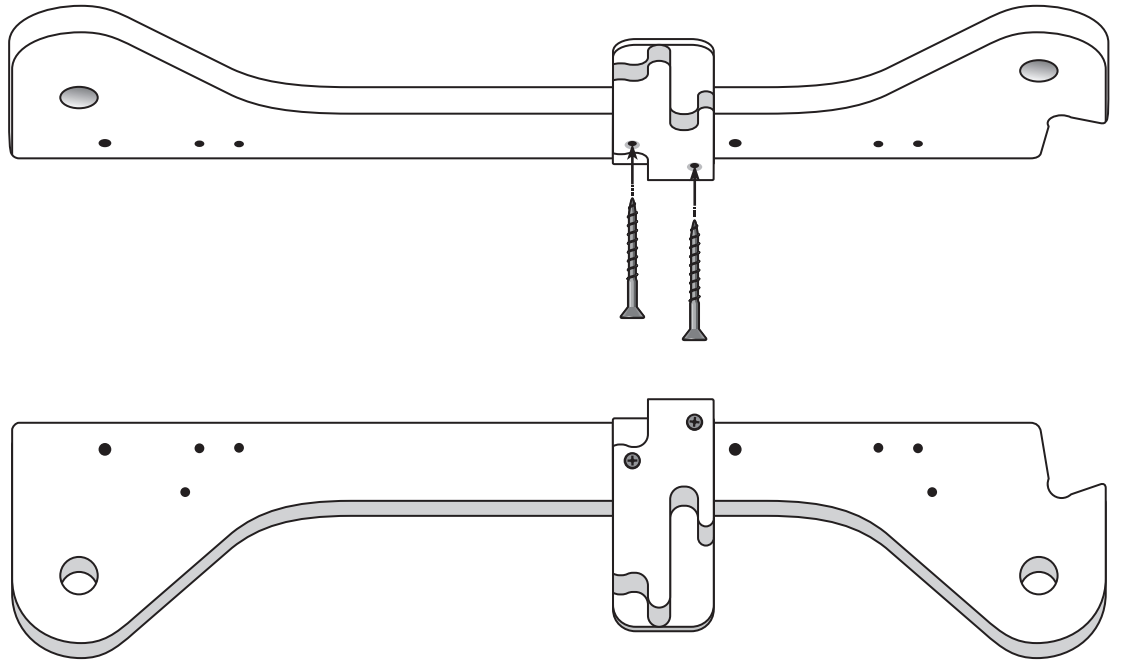
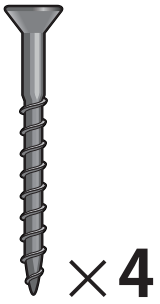


Before commencing, please read the instructions completely, identify the parts and note the assembly sequence. Use the sandpaper supplied to remove any sharp edges and corners.

We recommend that the wood surfaces be waxed or sealed before assembly. This protects the kiln dried wood from climatic changes and prevents it getting dirty or stained. The Silver Beech tree is a native of New Zealand and has a lovely variety of colour and grain. For a silky smooth matt finish, use the Ashford Wax Polish to enhance the natural colours and character of this timber.

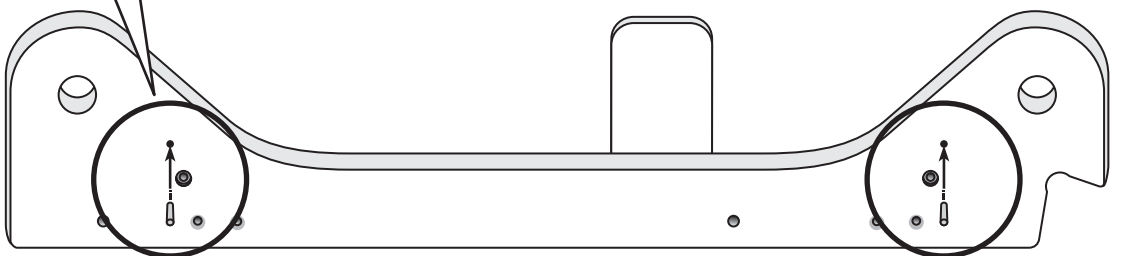
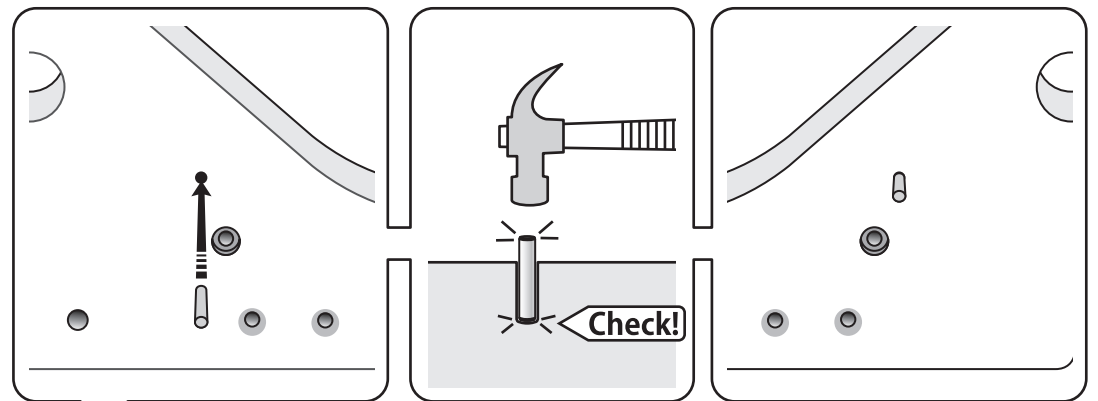


1



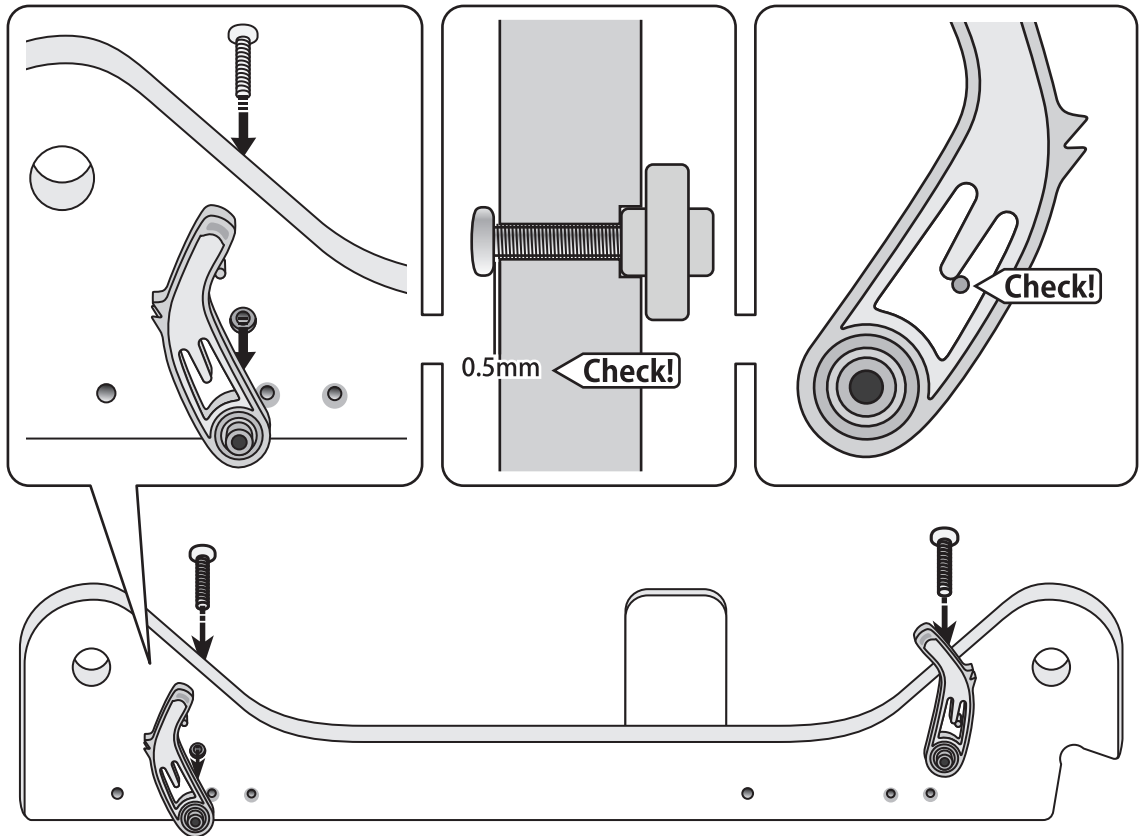
Attach the reed support blocks to the sides with 38mm (1½") screws.

2



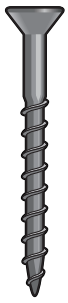
Tap the "clicker pins" for the pawls to the bottom of the holes in the right loom side.

3



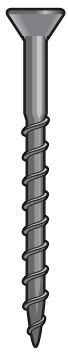
Attach the 2 pawls to the loom side from the inside with 30mm (1¼") bolts. NOTE the "clicker pin" fits into the gap in the pawl. Take care to ensure the "clicker pin" does not damage your table. Rub a little candle wax on the thread to make assembly easier. Leave 0.5mm (1/32") gap under the head of the bolt. DON'T over tighten. The pawl should move freely and "Click" as it snaps past the pin.

4



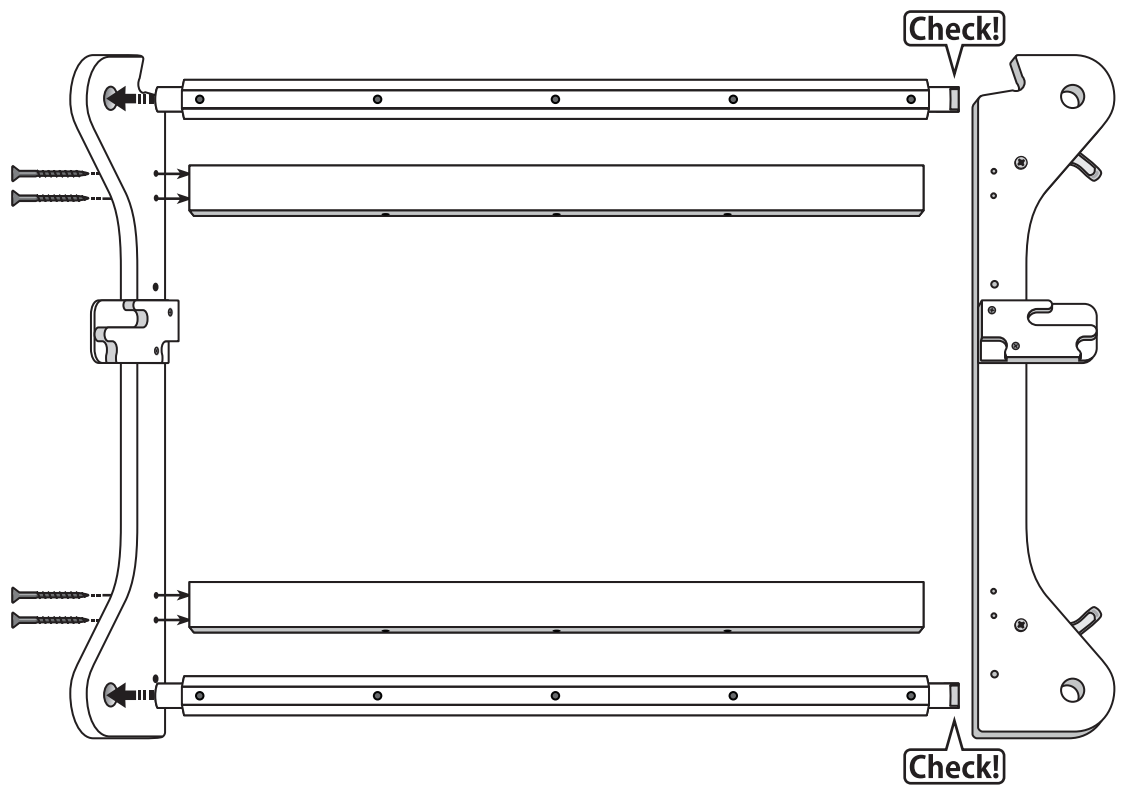
× 8

40cm (16")  
60cm (24")  
80cm (32")



× 8

120cm (48")

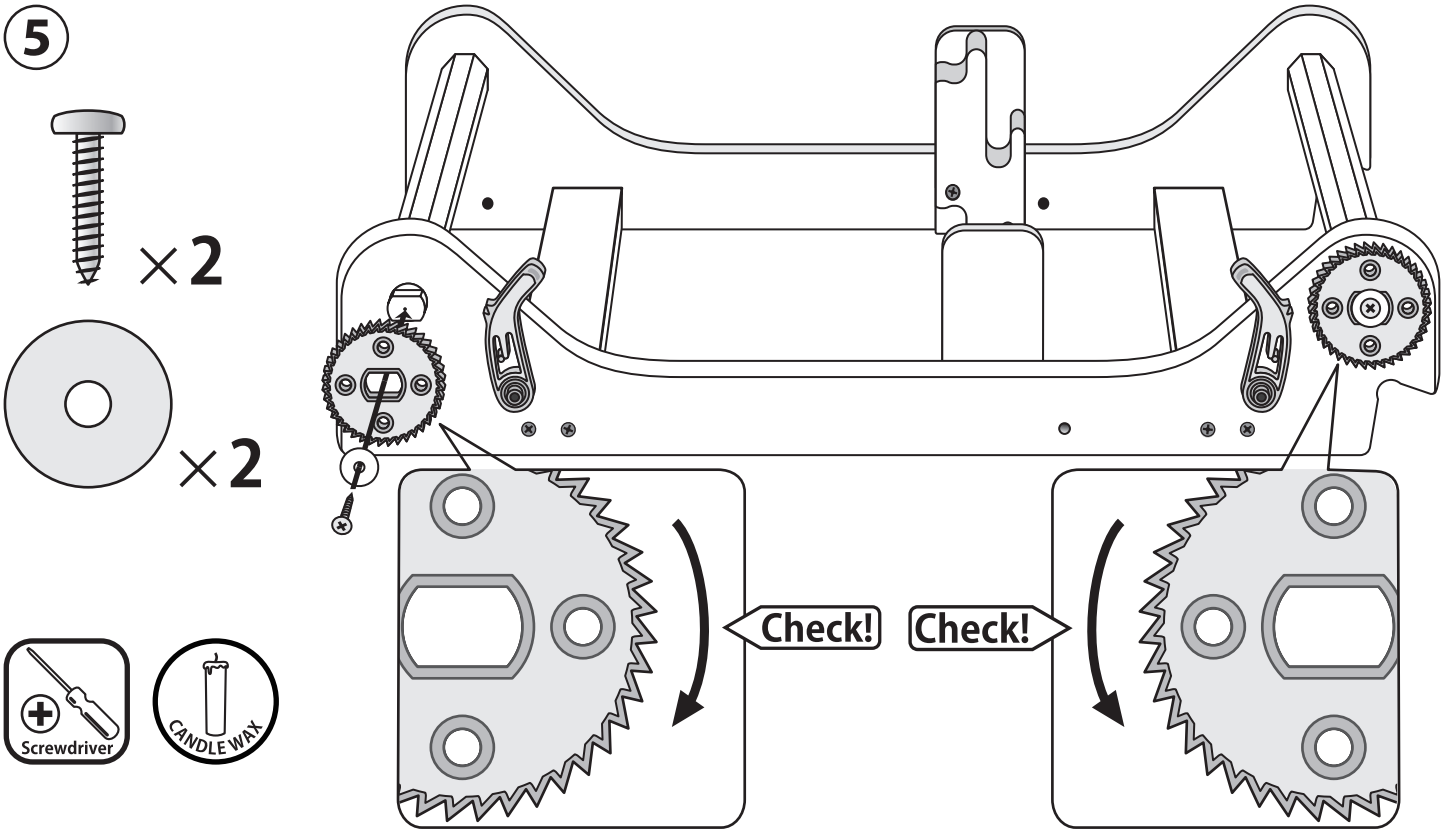


Attach the front and back rails to the left side with 38mm (1½") screws.

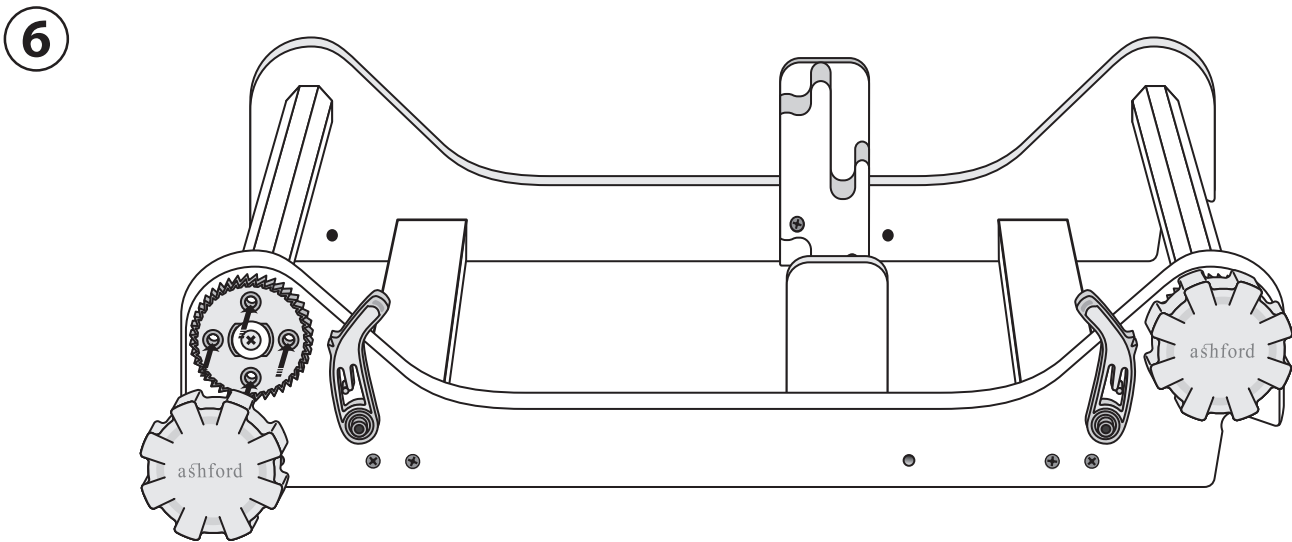
Rub candle wax over both ends of the front and back roller, then insert the short end of the rollers into the holes in the left side.

Insert the long ends of the rollers into the right side and attach to the front and back rails with 38mm (1½") screws.

**Note:** When assembling the 120cm (48") loom use the 45mm (1¾") screws supplied.

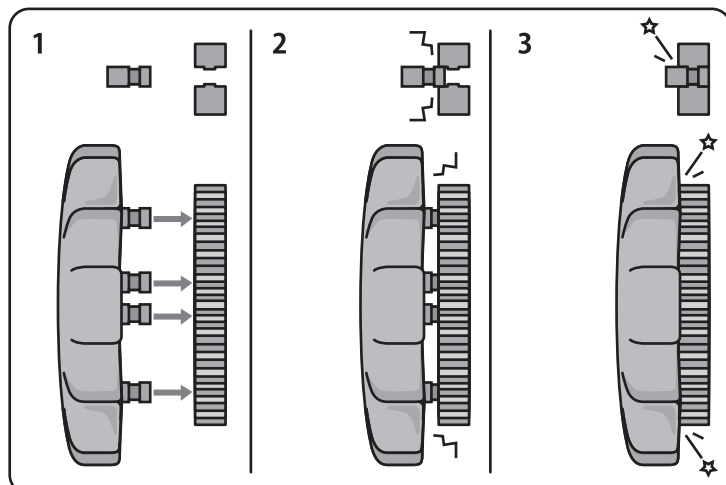


Place the cogs onto the ends of the rollers. Check the teeth engage the pawls. THEN secure with washers and 20mm ( $\frac{3}{4}$ " ) screws.

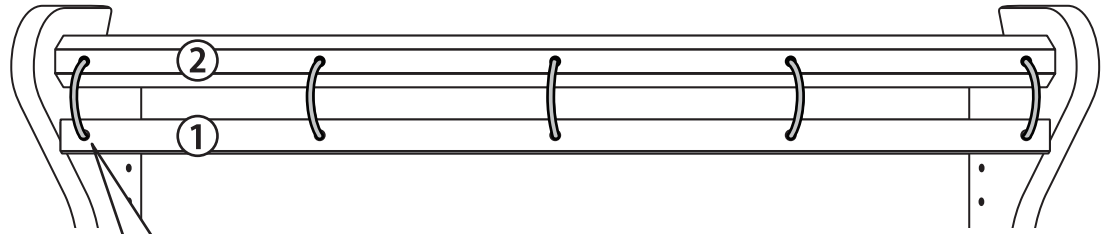


Locate the 4 pins on the handles into the 4 holes in the cogs. Then give the handles a sharp hit with your fist so they snap down tight onto the cogs.

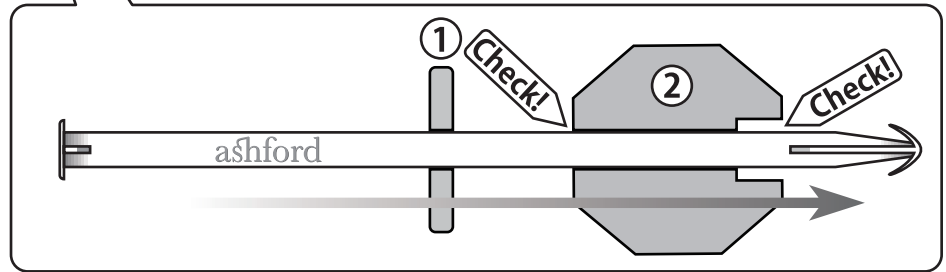
**When weaving** - to release the warp tension to advance the warp, turn the handle slightly & then lift the pawl out of the teeth.



7

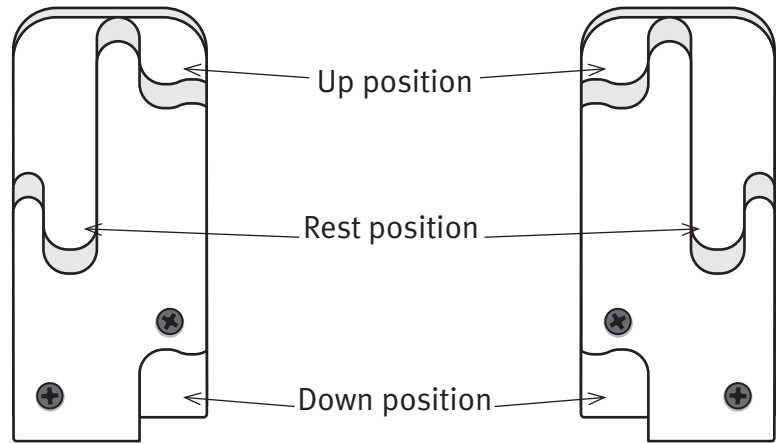


Connect the warp sticks to the roller with the warp stick ties. First push the arrow head through the warp stick. Then push the arrow head into the small hole in the roller and out the large hole as illustrated.



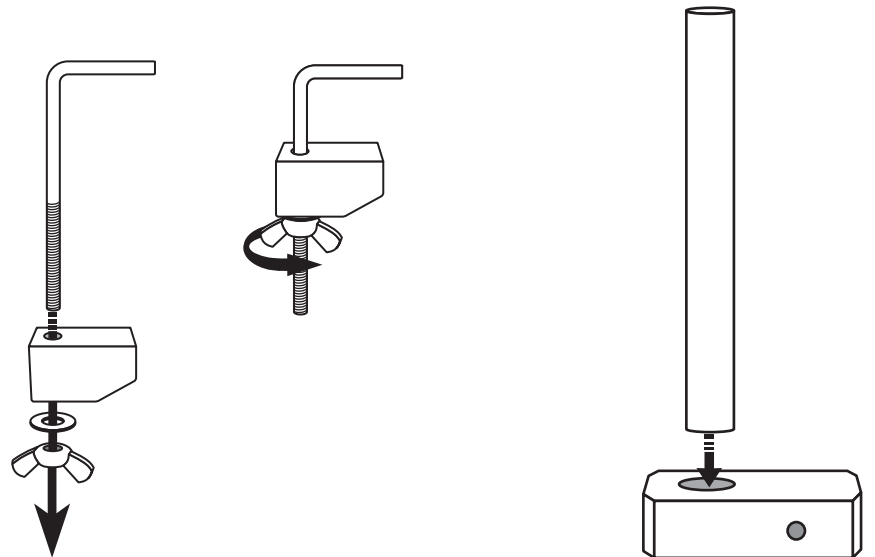
8

Locate the reed into the rest position of the reed support blocks.



9

Assemble the warping peg and clamps.



Now follow the easy step-by-step warping instructions in the “Learn to Weave on the Rigid Heddle Loom” booklet. Happy Weaving!