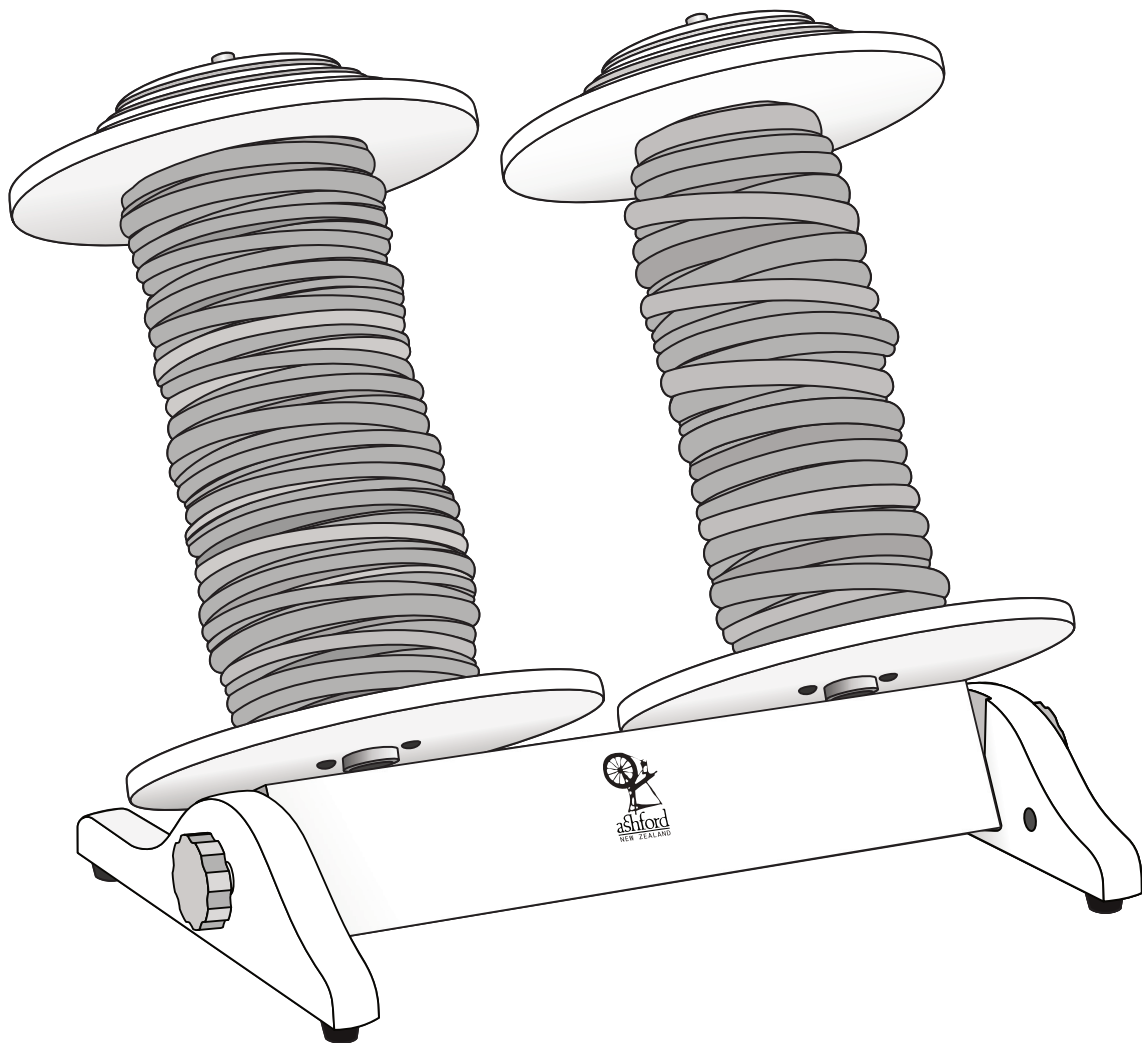


Lazy Kate Super Jumbo



LKSJ22101019V1

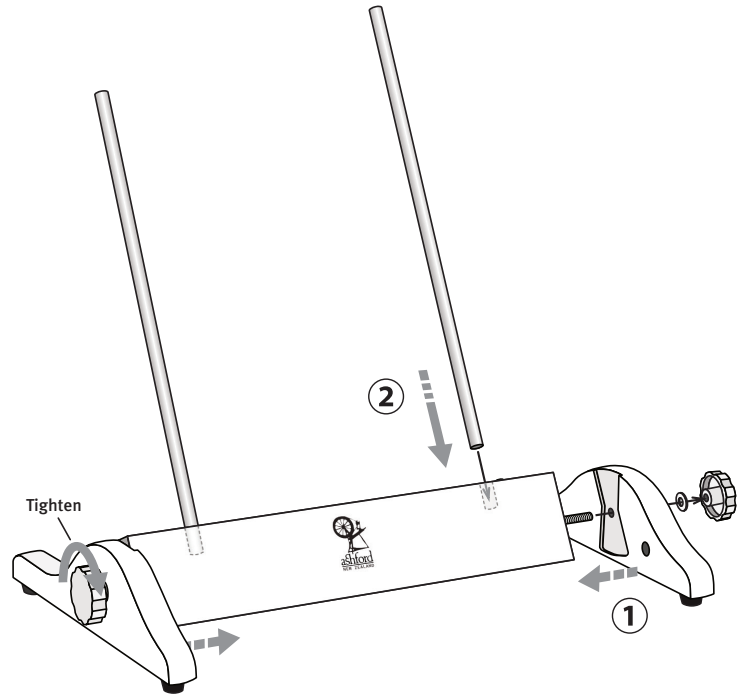
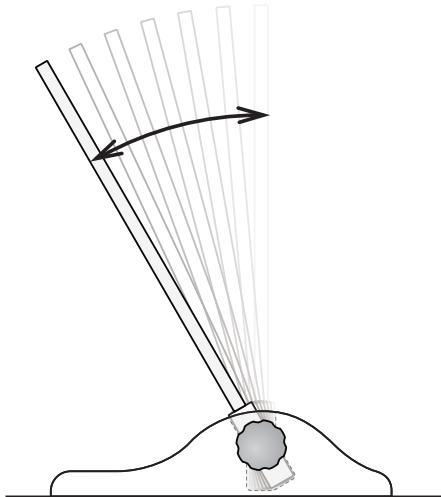
Assembly Instructions for the Lazy Kate Super Jumbo

Before commencing, please read these instructions completely, identify the parts and note the assembly sequence.

Finish

Your Lazy Kate Super Jumbo has been lacquered prior to assembly. If desired Ashford Finishing Wax Polish may be applied to further enhance its appearance.

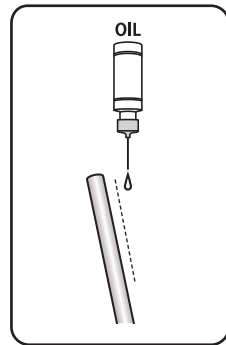
1. Attach the 2 feet to the base rail with washers and knobs.
2. Insert the 2 x $\frac{3}{8}$ " stainless steel rods into the holes in the base.



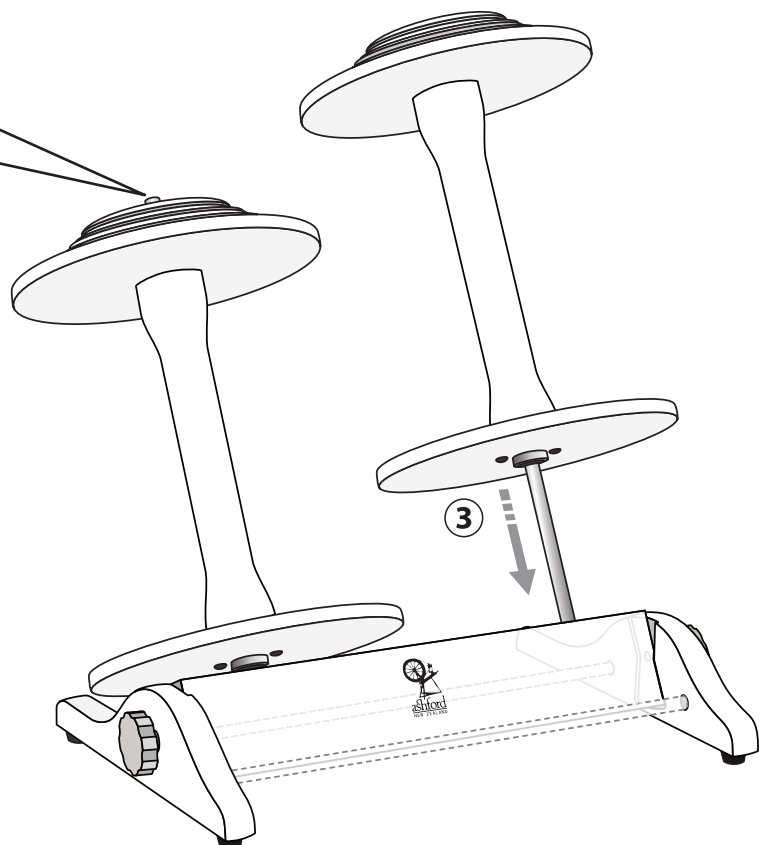
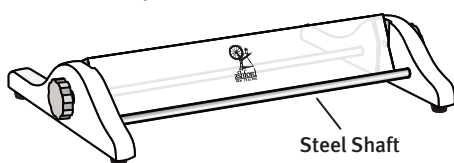
Note the base rail will tilt approx. 30 degrees.

Check!

3. Apply a drop of oil to the 2 x stainless steel rods before placing the bobbins on.



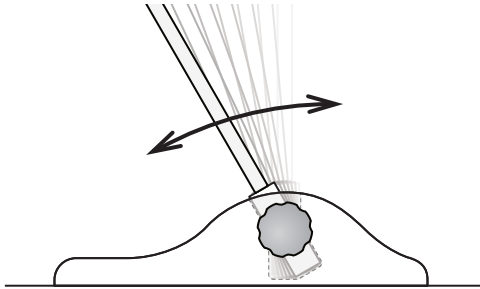
4. For transport or storage, remove the 2 x stainless steel rods, loosen the 2 knobs until the rods can be inserted into the holes in the feet. Then retighten the knobs to lock the rods in place.



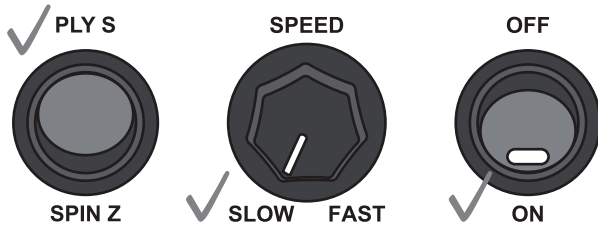
The Lazy Kate Super Jumbo may be stored in the carry bag with the e-Spinner Super Jumbo.

Plying

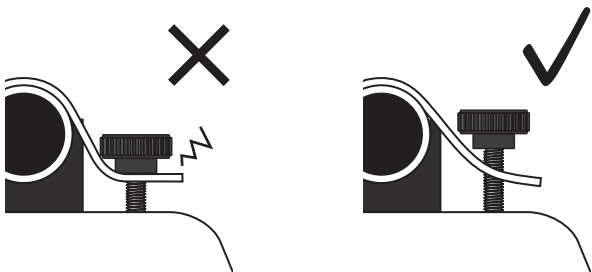
1. Tie a piece of medium weight yarn approx. 1.5 metres (5 feet) long, called a leader to the bobbin on the e-Spinner Super Jumbo.
2. Thread the leader through the flyer yarn guide with the black insert and out through the orifice. Locate 2 bobbins of spun yarn onto the Lazy Kate Super Jumbo rods and tie the 2 strands of yarn to the leader.
3. Adjust the tilt of the base rail so the yarn feeds easily off the bobbins.



4. Check the SPIN/PLY switch is on PLY (up) and the SPEED control is on SLOW. Switch the ON/OFF switch to ON. Gradually turn the SPEED control clockwise until the flyer starts to turn slowly.

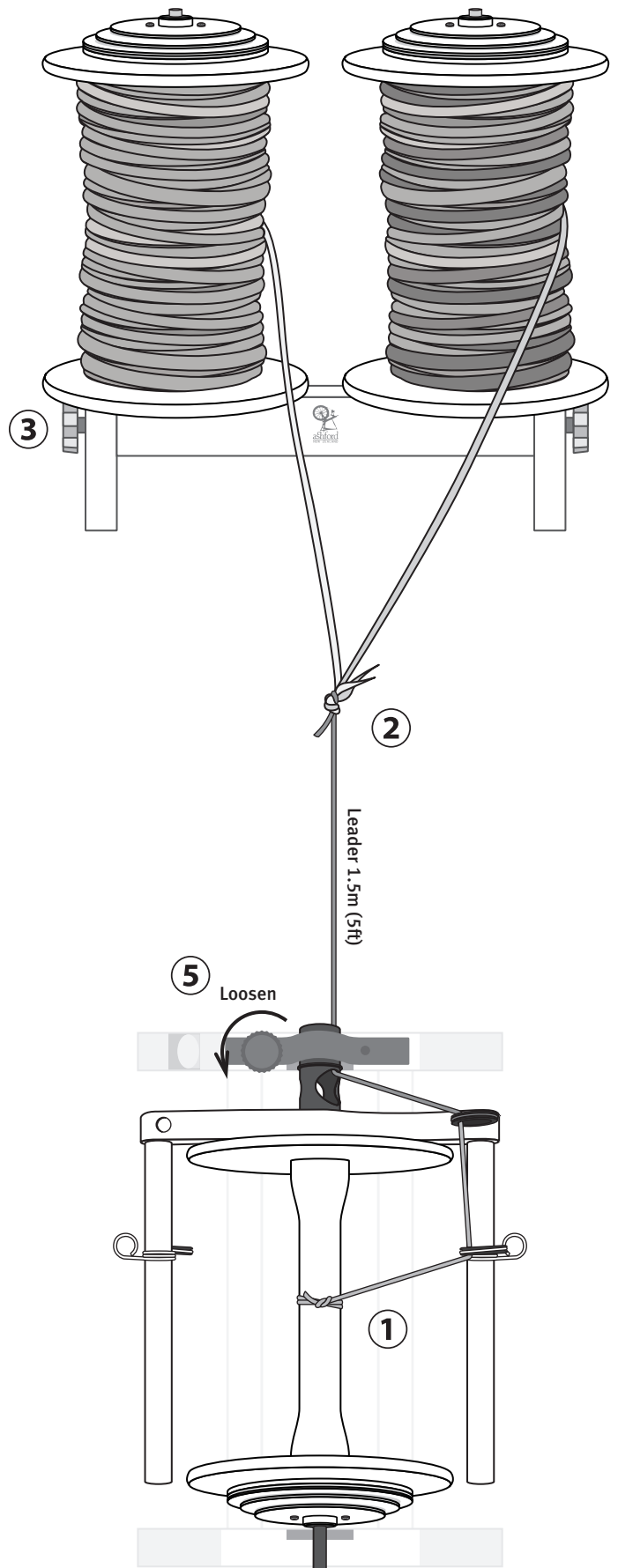


5. Allow the leader and your spun yarn to start feeding in. Use the least amount of leather brake band tension possible.



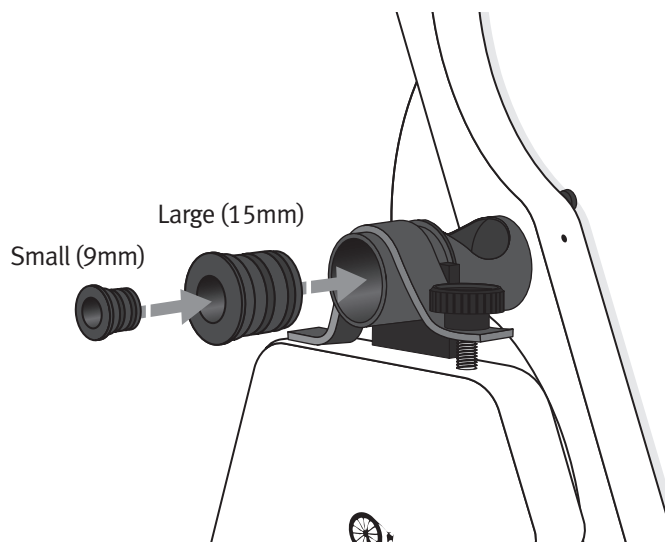
6. To fill the bobbin evenly, squeeze and slide the yarn guides along the flyer arms.

For further plying information refer to "The Ashford Book of Hand Spinning" by Jo Reeve, a 116-page book full of ideas and inspirations for spinners.



Orifice Reducer Bushes

- Use the large Reducer Bush to reduce the orifice from 27mm (1 $\frac{1}{8}$ "") to 15mm ($\frac{5}{8}$ "") for plying medium yarns.
- Use the small Orifice Reducer Bush to reduce the orifice to 9mm ($\frac{3}{8}$ "") for plying fine yarns.
- Orifice Reduce Bushes help prevent the yarn vibrating. By drafting the yarn at about a 45-degree angle to the orifice the vibration will almost be eliminated.
- When not in use store the reducer bushes in the holes in the top of the base.



Safety

1. Take care to ensure children and pets are always well clear of the e-Spinner Super Jumbo when starting or while it is in use.
2. Always unplug the power pack from the wall when not in use.
3. Never leave the e-Spinner Super Jumbo without switching it OFF at the ON/OFF switch.
4. Ensure the e-Spinner Super Jumbo is switched off before removing the foot switch plug.
5. Do not use your e-Spinner Super Jumbo in damp or wet conditions.
6. Never open the electronic compartment without first disconnecting it from the power supply.

Accessories - Available from your local Ashford Dealer.

Bobbins

Ashford Country Spinner2 bobbins.



Padded Carry Bag

Store your e-Spinner Super Jumbo in the convenient padded carry bag. The power pack, foot switch and oil bottle will fit in the handy pockets.



12V cigarette cord

so you can spin away from home in your car, caravan, RV, boat or using a 12V battery pack.



More Information



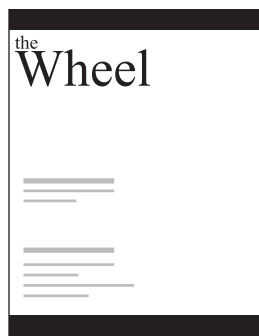
How-to videos on You Tube

Watch our how-to videos on You Tube.
www.youtube.com/user/AshfordHandicrafts



Facebook

Join us on facebook.
www.facebook.com/ashford.wheels.loom



The Wheel Magazine

Ashford's annual fibrecraft magazine. Spinning, weaving, felting, dyeing and knitting projects, patterns and articles from around the world. To receive the premium version delivered to you, subscribe at: www.ashford.co.nz/subscribe