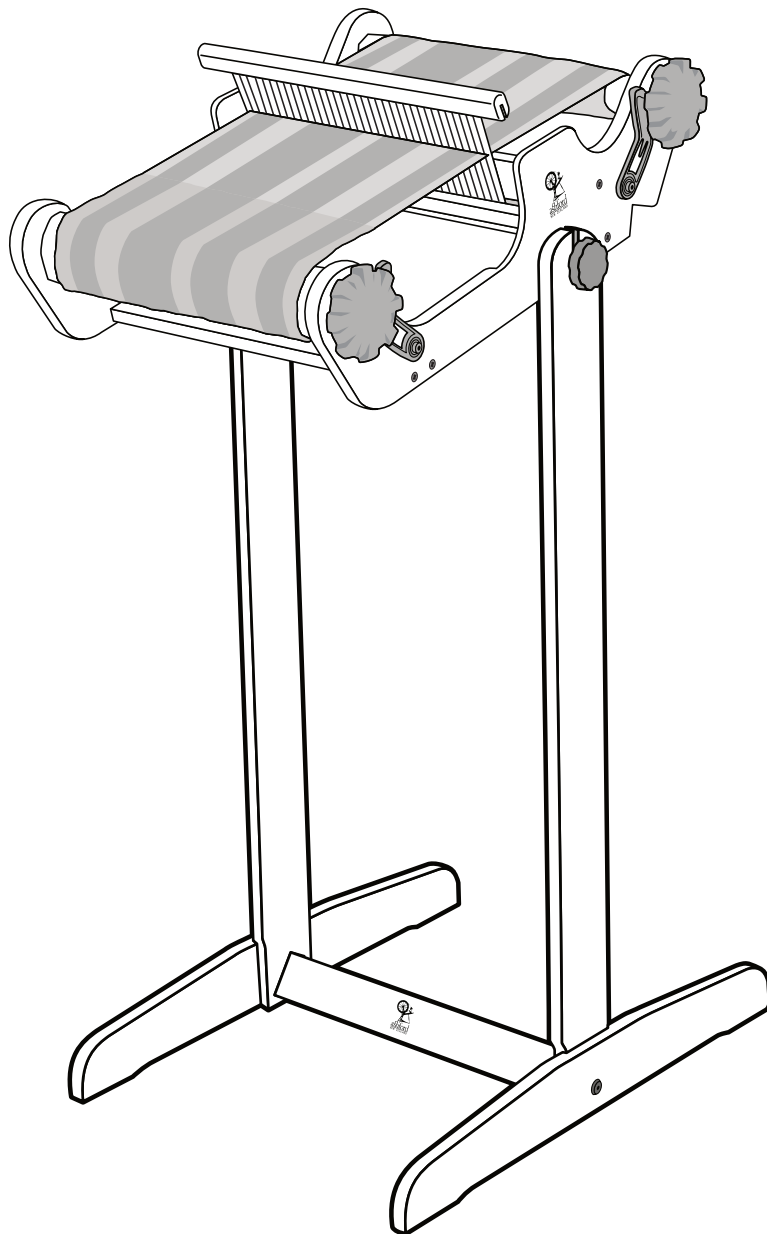


Samplelt Loom Stand Variable Width

For 25cm (10") and 40cm (16") Looms



SLSV030820

Ashford Guarantee

Thank you for purchasing this Ashford product. In the unlikely event there is any fault in manufacture please contact the Ashford Dealer who supplied it. To validate our guarantee please visit our website -support- product registration, or email us.

ASSEMBLY INSTRUCTIONS

1. If your loom is 25cm (10") wide, use the short footrest, if your loom is 40cm (16") wide, use the long footrest.
2. Attach the appropriate footrest to one leg and foot as illustrated with a 50mm (2") bolt and barrel nut and lightly tighten with the Hex Key. Note the tapered leg fits snugly into the tapered rebate in the foot. Repeat for the other side. Store the spare rail for future use.
3. Insert the 40mm (1 1/2") round head bolts from the inside of your loom and tap the head of the bolts flush against the loom side. Then locate the loom and bolts into the slots in the legs and secure with washers and knobs.

4. Sit at the loom and adjust the angle of the loom until it is resting on your knees and the angle of the footrest to suit and tighten the knobs.
5. Store the Hex Key in a safe place and retighten the bolts if required.
6. Note - Support braces are optional accessories for the Samplelt Loom Stand.

Enjoy weaving on your Samplelt Loom!

