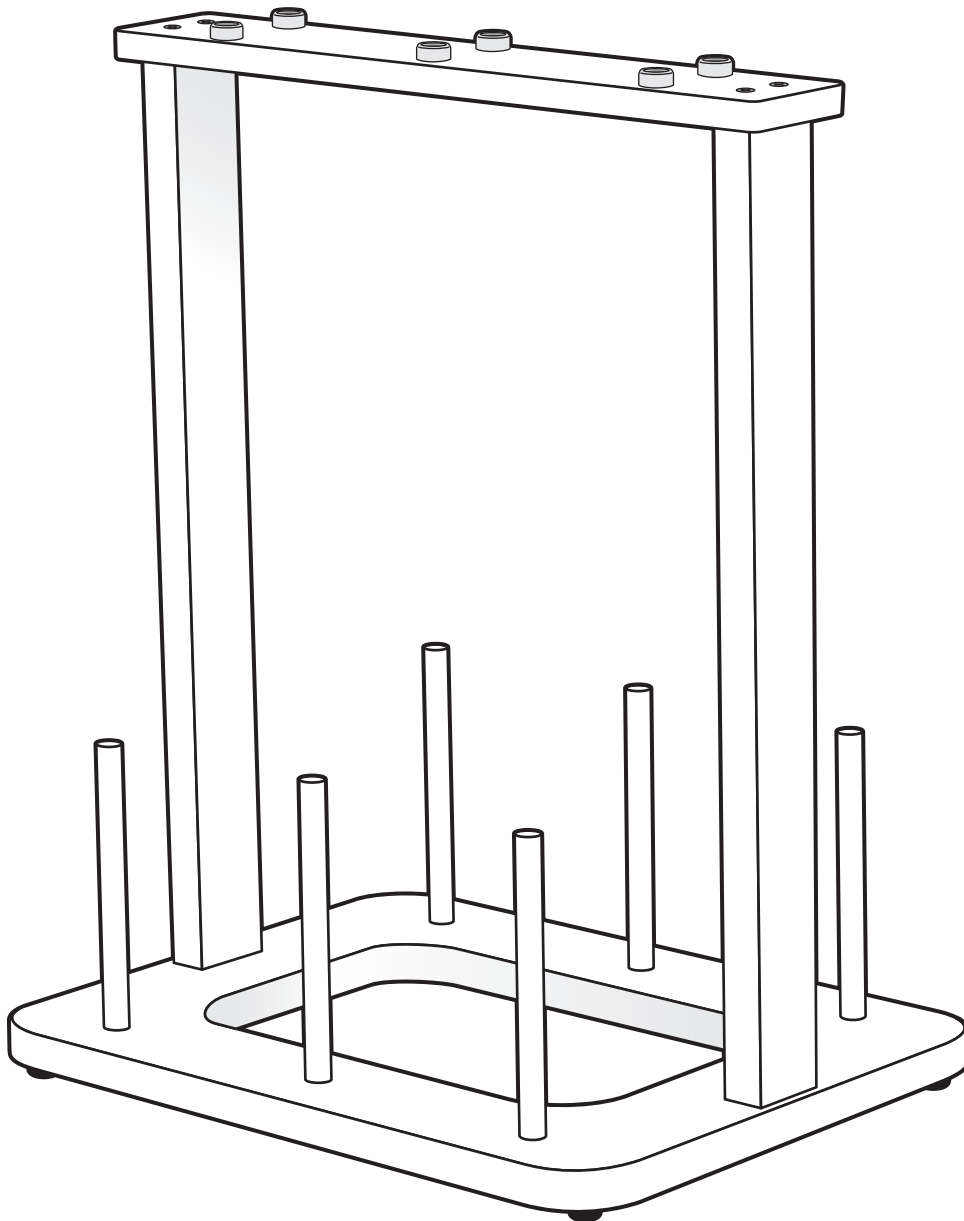


YARN STAND 6



YS604092017V1

ASSEMBLY INSTRUCTIONS FOR THE ASHFORD YARN STAND 6

Before commencing, please read these instructions completely, identify the parts and note the assembly sequence.

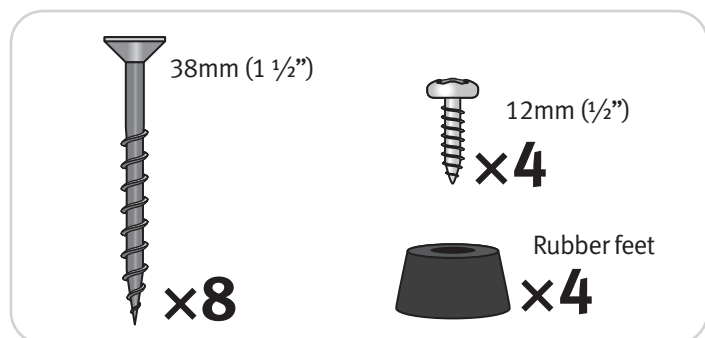
Finish

Your Yarn Stand 6 has been factory lacquered. If desired Ashford Wax Finish may be applied to further enhance its appearance.

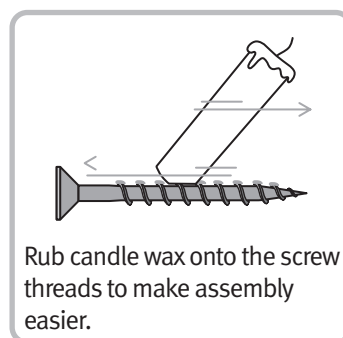
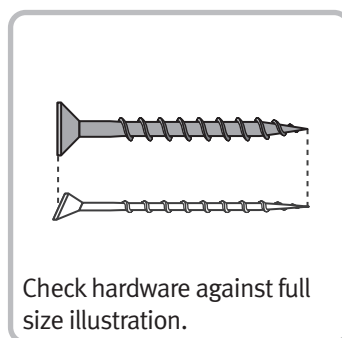
Tools Required



Hardware List

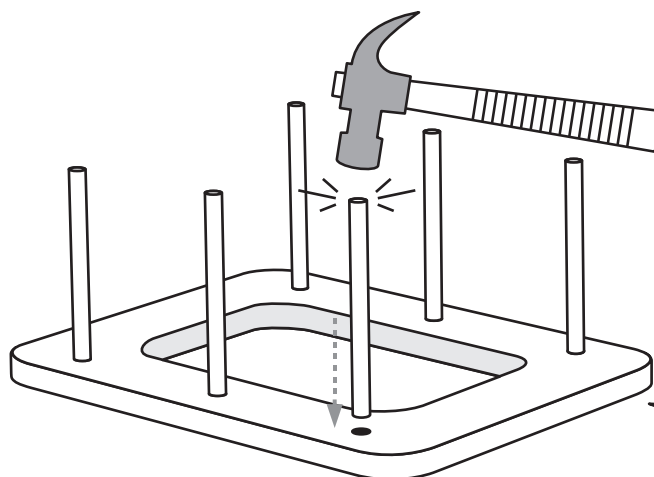


Hints

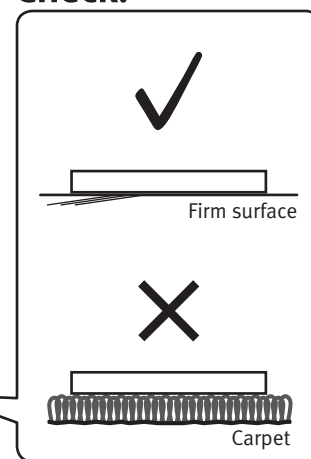


1

With the base on a firm surface (not carpet), *gently* tap the 6 wooden dowels into the base.

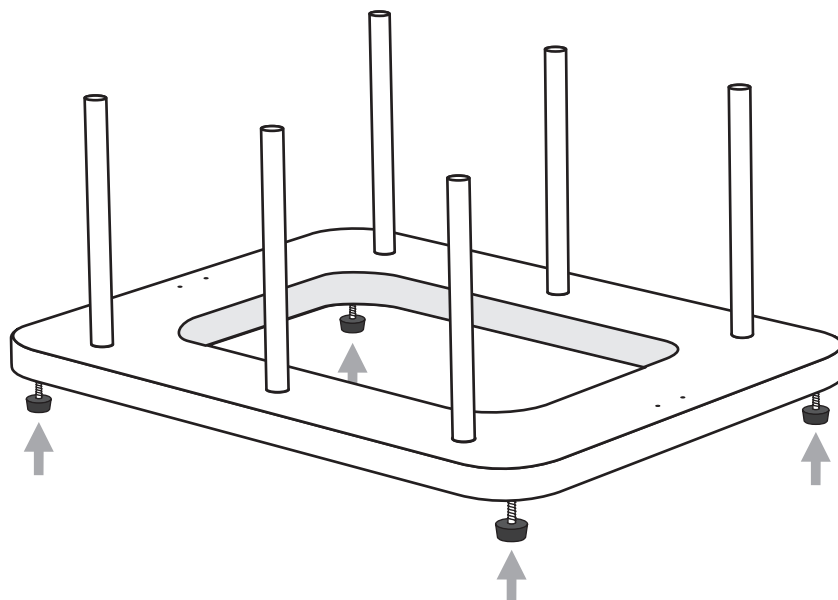
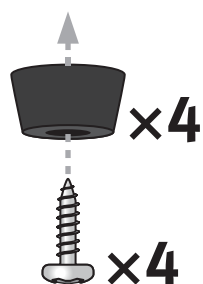


Check!



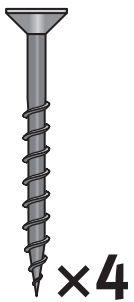
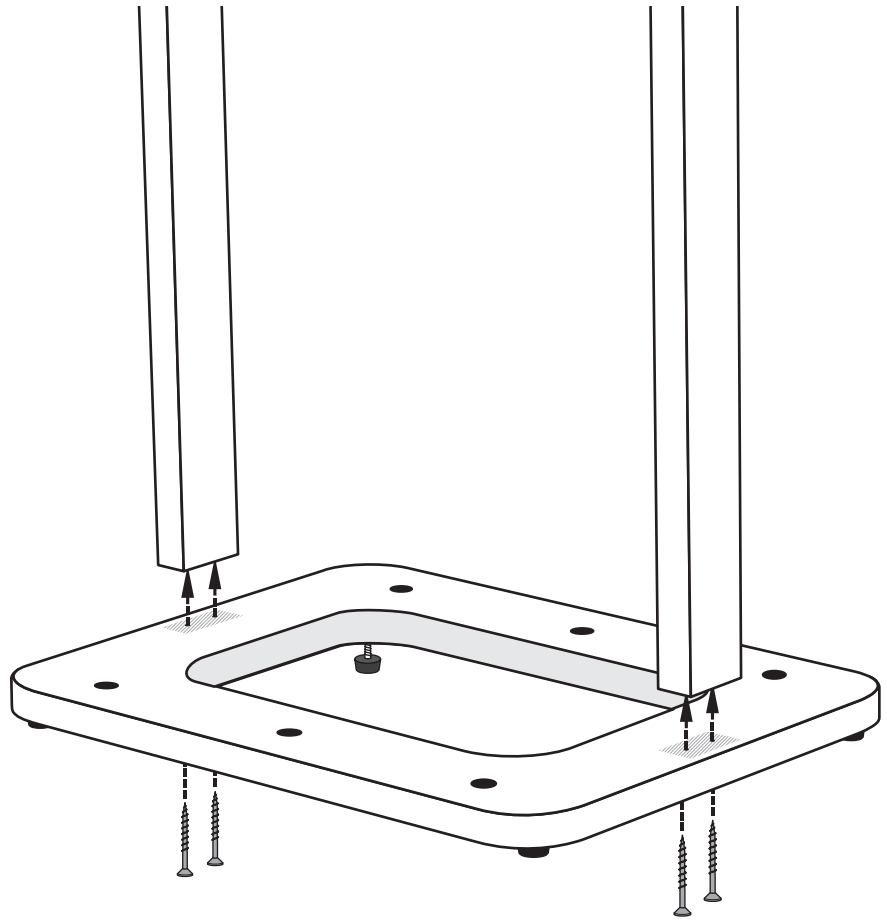
2

Attach the 4 rubber feet to the underside of the base with 12mm (1/2") screws. This may be easier if the corner of the base is sitting on the edge of a table or bench.



3

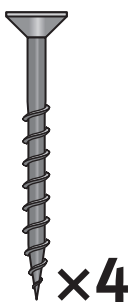
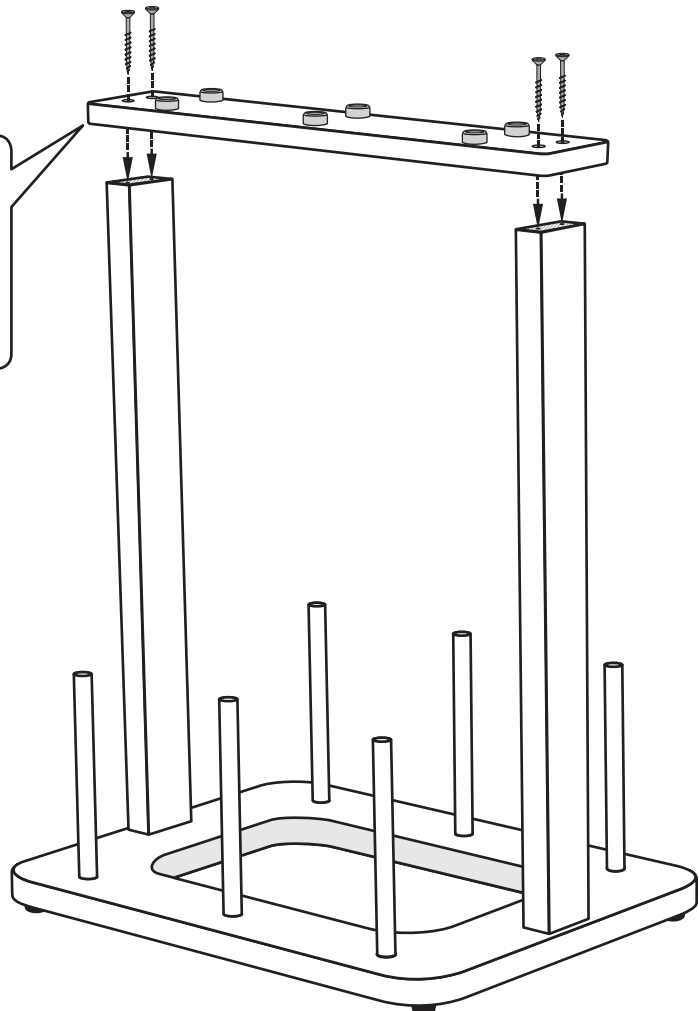
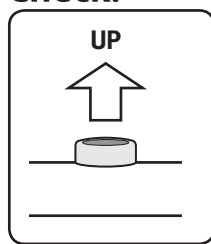
Attach the 2 uprights to the base with 38mm (1½") screws.



4

Attach the top rail to the uprights with 38mm (1½") screws. Note the nylon yarn guides face up.

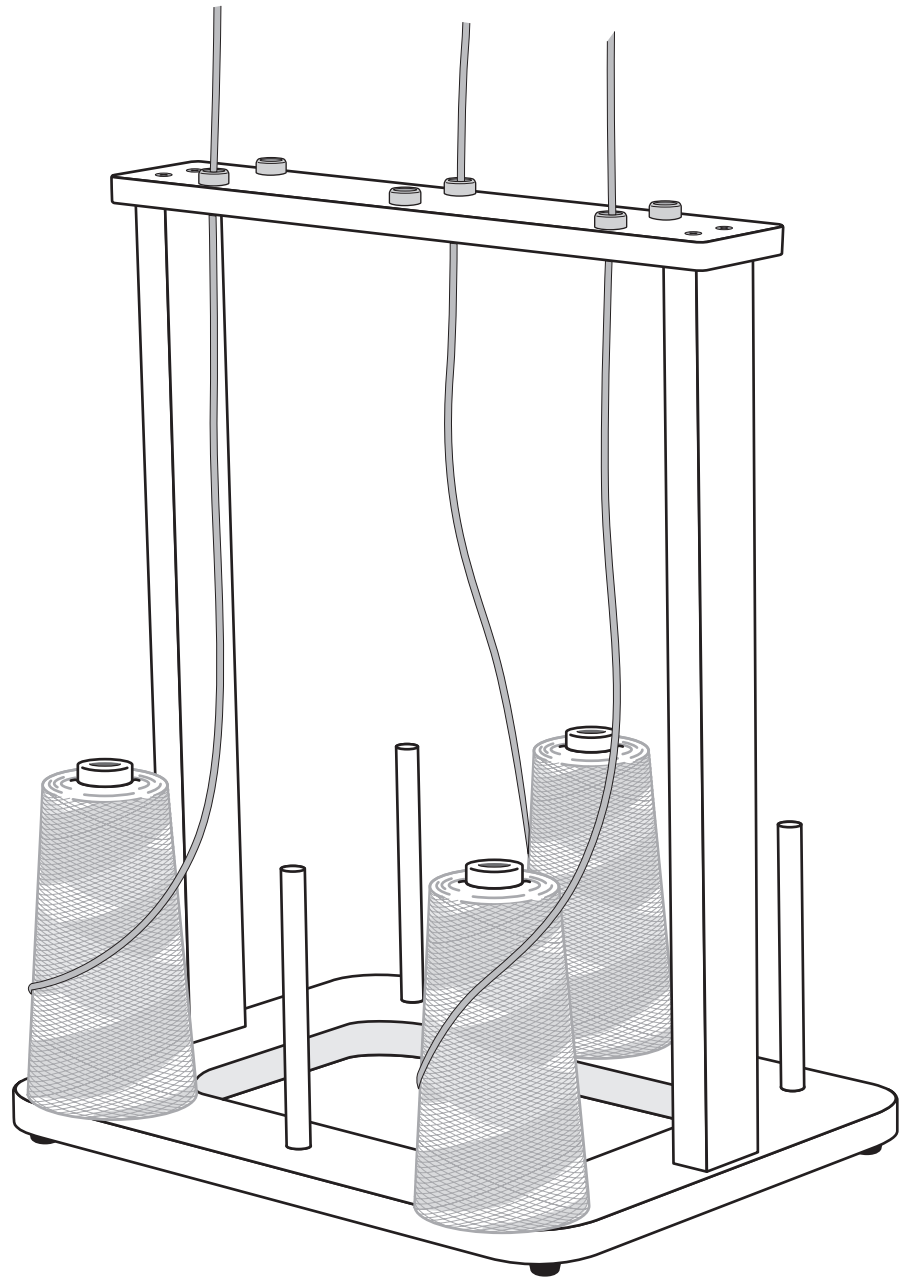
Check!



How to use

Sit your cones of yarn on the wooden pegs.

Thread your yarn up through the yarn guides.



More Information



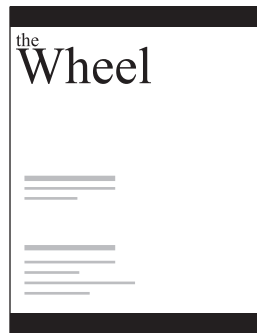
How-to videos on You Tube

Watch our how-to videos on You Tube.
www.youtube.com/user/AshfordHandicrafts



Facebook

Join us on facebook.
www.facebook.com/ashford.wheels.looms



The Wheel Magazine

Ashford's annual fibrecraft magazine. Spinning, weaving, felting, dyeing and knitting projects, patterns and articles from around the world. To receive the premium version delivered to you, subscribe at:
www.ashford.co.nz/subscribe